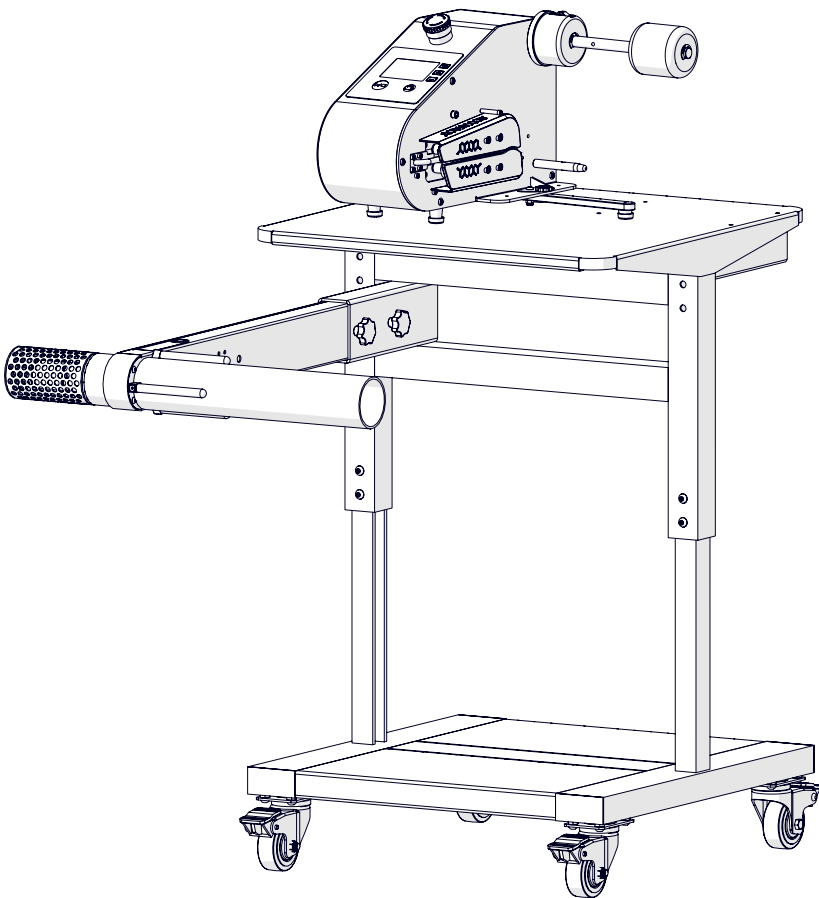




USER MANUAL BUBBLE WINDER



USER NOTES

For all IPG product manuals please visit www.itape.com/systems-manual or use this QR code



TABLE OF CONTENTS

General Information	4
Preface	4
Machine, Stands and Accessories Set-Up	4
Machine Product Description	4
Technical Support	4
Field Service Assistant	4
Definitions	4
Machine Overview	5
Machine Identification	5
Important Safety Instructions	6
Explanation of Signal Word Consequences	6
Safety Components	8
Warning and Caution Labels	9
Intended Use	10
Intended Use of Bubble Winder	10
Technical Specifications	11
Film Specifications	11
Machine Operations	12
Component Layout	12
Machine Set-up	14
Machine Controls	15
Machine Modes of the IPG AirSpace A3 Pro© Machine used with the Bubble Winder	17
Installing Film Onto the IPG AirSpace A3 Pro© and Operating the Bubble Winder	17
Maintenance	18
Inspection, Maintenance, and Repair	18
Operator Weekly Inspection Interval	18
Preventative Maintenance Interval	18
Troubleshooting	20
General Troubleshooting	20

GENERAL INFORMATION

Preface

This user manual contains information necessary to become familiar with the IPG Bubble Winder system. It is intended to be used by the installer and end user of the IPG Bubble Winder. It is necessary to read this manual carefully before use, this manual only applies to the IPG Bubble Winder. This manual should be easily accessible at all times for the user and should be kept in close proximity to the IPG Bubble Winder at all times. If the manual becomes damaged please contact IPG Machinery Support for a new digital copy.

Please refer to the table of contents of this User Manual to locate the information relevant to you. Please be sure to keep this User Manual in a safe and convenient place, **close to the Machine**, to refer to it whenever necessary.

This User Manual is originally written in English. All other languages are translations of the original. For more information, or to order new User Manuals, please contact **Nuevopak**, an **IPG Company**, or an authorized representative.



THIS IPG BUBBLE WINDER USER MANUAL CONTAINS IMPORTANT INFORMATION RELATED TO SAFETY, INTENSION AND MEANING OF THE MACHINE LABELS, MACHINE OPERATIONAL MODES AND THE GENERAL FUNCTIONS OF THE IPG BUBBLE WINDER AND ITS ACCESSORIES.

Machine, Stands and Accessories Set-Up



CAUTION: PLEASE REFER TO THE SET-UP DOCUMENT FOR THE INITIAL SET UP OF THE MACHINE. FAILURE TO DO SO CAN RESULT IN INJURY OR DAMAGE TO THE MACHINE.

Machine Product Description

The **IPG Bubble Winder** takes the output stream of Bubble-on-Demand (BoD) from the IPG AirSpace A3 Pro© system and automatically winds it into an easily movable coil of protective void fill for pack stations that are not in the immediate vicinity of the machine system. It consists of a single gear motor and is designed to integrate with the IPG AirSpace A3 Pro© BoD machine without the need for special software.

Technical Support

If any problems arise with this **IPG Bubble Winder** during the normal course of operation, your properly trained and qualified internal service personnel should be able to repair any issues after consulting the [“General Troubleshooting” section on page 20](#).

Technical Support can be reached via phone in North America by calling 813-345-3070 or by email at machsupp@itape.com

Field Service Assistant

For technical information and troubleshooting assistance, contact Technical Support. Internal qualified service personnel; please refer to the attached Business Card or the Identification Plate for contact information.

Definitions

Throughout this manual there are common terms and phrases used. They are listed below:

1. The **Bubble Winder** is defined as the IPG Bubble Winder which is manufactured by **Nuevopak**, an **IPG Company**.
2. The **Machine System** is defined as the IPG Bubble Winder with the IPG AirSpace A3 Pro© installed.
3. The **Installer** is defined as that individual, who has been trained by **Nuevopak**, an **IPG Company** representative and are authorized to install and operate the system as outlined in this User Manual.
4. The **Operator** or **User** is defined as that individual, who has been trained by internal qualified service personnel or **Nuevopak**, an **IPG Company** representative and is authorized to Operate the system as outlined in this guide.
5. The **Trainer** is the individual, who has been trained by an IPG authorized representative, who is responsible for overseeing all User/Operators of use of the **Bubble Winder**.
6. An **Authorized Representative** or **Qualified Service Personnel** are defined as those individuals who are authorized to: install the **Bubble Winder**, operate the **Bubble Winder**, train users, train qualified service personnel, and to perform all maintenance and repair procedures other than outlined in this User Manual.

MACHINE OVERVIEW

Machine Identification

The **Machine** identification is located on the **Identification Plate** which is attached to the back of the **Machine** (refer to Figure 1).

Power and Fuse Requirements

Serial Number

Manufacturer Details

Technical Support

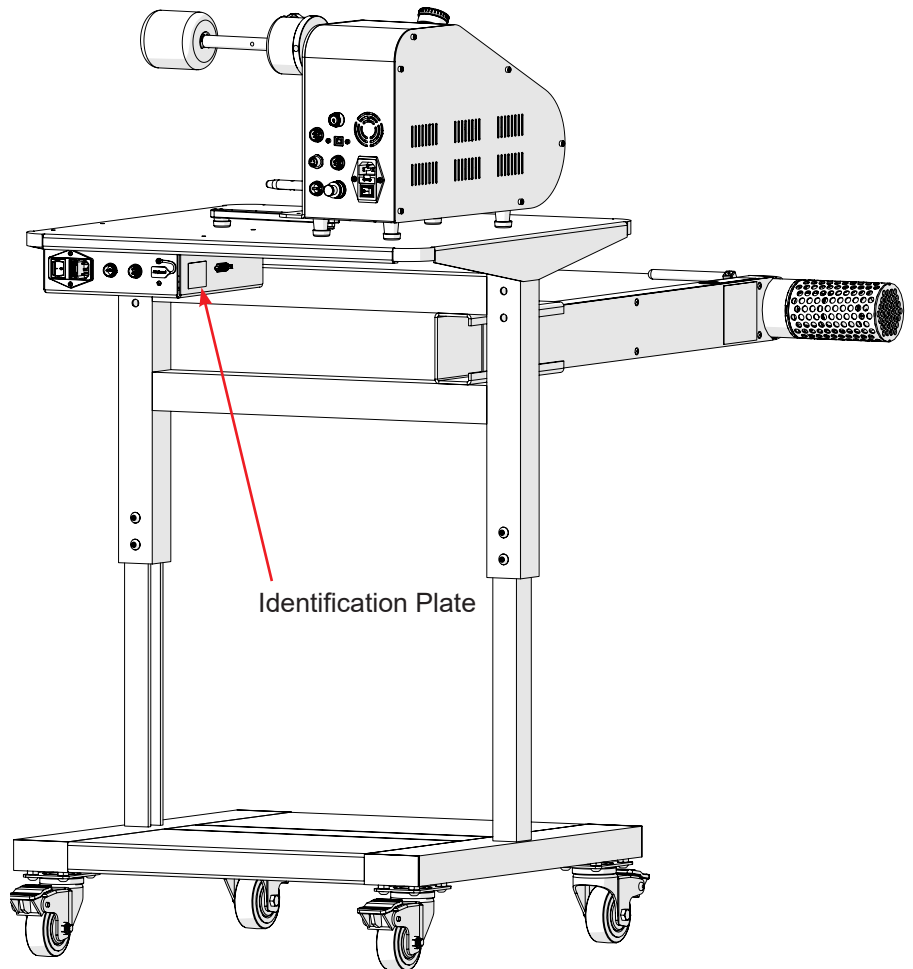
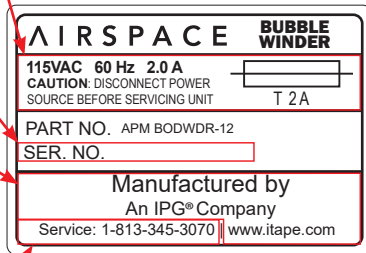


Figure 1: Machine Identification

Safety Precaution



THE BUBBLE WINDER IS DESIGNED FOR SAFE USE IN CONFORMANCE WITH THE APPLICATION, CONDITIONS AND RULES DESCRIBED IN THIS USER MANUAL. ALL USERS MUST READ AND UNDERSTAND THIS MANUAL BEFORE OPERATING THE BUBBLE WINDER.

IMPORTANT SAFETY INSTRUCTIONS

Explanation of Signal Word Consequences



THIS SYMBOL CALLS ATTENTION TO CAREFULLY READ THE STATEMENT AS IT IS CRITICAL FOR MACHINE OPERATION.



THIS SYMBOL CALLS ATTENTION TO CONDUCT PROPER LOCK OUT TAG OUT (LOTO) PROCEDURES PRIOR TO CONDUCTING ANY PREVENTATIVE MAINTENANCE OR MACHINE MAINTENANCE.



WARNING: INDICATES A POTENTIALLY HAZARDOUS SITUATION, WHICH IF NOT AVOIDED COULD RESULT IN DEATH OR SERIOUS INJURY OR PROPERTY DAMAGE



CAUTION: INDICATES A POTENTIALLY HAZARDOUS SITUATION, WHICH IF NOT AVOIDED COULD RESULT IN MINOR OR MODERATE INJURY OR PROPERTY DAMAGE



WARNING

- 1. To reduce the risk associated with mechanical and electrical hazards:**
 - Read, understand, and follow all safety and operating instructions before operating or servicing the Bubble Winder
 - Allow only properly trained and qualified personnel to operate and service this equipment
- 2. To reduce the risk associated with pinches, entanglement, and hazardous voltage:**
 - Turn electrical supply off and disconnect before performing any adjustments, maintenance, or servicing
- 3. To reduce the risk associated with pinches and entanglement hazards:**
 - Do not leave the Bubble Winder running while unattended
 - Turn the Bubble Winder off when not in use
 - Never attempt to work on any part of the Bubble Winder while the **Machine** is running
- 4. To reduce the risk associated with hazardous voltage**
 - Position electrical cord away from foot traffic and vehicle traffic
 - Do not operate the Bubble Winder with a damaged power cord
- 5. To reduce the risk associated with sharp blades hazards:**
 - Keep hand and fingers away from the AirSpace 3 Pro[®] blade, the blade is very sharp
- 6. To reduce the risk associated with fire and explosion hazards:**
 - Do not operate this equipment in potentially flammable and/or explosive environments
- 7. To reduce the risk associated with muscle strain:**
 - Use proper body mechanics when removing or installing film rolls that are moderately heavy or may be considered awkward to lift
- 8. To reduce the risk associated with mechanical and electrical hazards:**
 - Allow only properly trained and qualified personnel to operate and service this equipment
 - Do not operate the **Bubble Winder** when the electrical box is damaged or removed



CAUTION

- 1. To reduce the risk associated with pinch hazards:**
 - Keep hands, hair, loose clothing, and jewelry away from rotating mandrels, moving belts, and heating elements

IMPORTANT SAFEGUARDS

Operational Safety

In the event of a defect, or if the operation of the **Bubble Winder** differs from the descriptions in this User Manual, turn the I/O Main Switch to O [OFF] and disconnect the Main Power Cord Plug from the main power until the unit can be inspected by a trained Nuevopak, an IPG Company, representative, or qualified service personnel.

- Make sure that cords cannot be and are not damaged.
- Before moving the **Bubble Winder**, unplug the Main Power Cord Plug, Photo Eye Plug, and other accessories from the **Bubble Winder** back and secure loose cords.
- Make sure the **Bubble Winder** is acclimated for at least 30 minutes when moved from a cold area.
- Do not use cable reels. An extension cable with a wire gauge of at least 14 AWG (1,5mm²) with a maximum length of 11.5 ft (3.5m) may be used.

Precautionary Statements

There are a number of Warning and Caution labels used on the **Bubble Winder**, these labels are placed at different locations on the **Bubble Winder** to warn the Installer, Operator(s) and Service Personnel of possible dangers (Figure 2). Please refer to the User Manual of the IPG AirSpace A3 Pro© to get familiar with the meaning of the warning and caution labels on that **Machine** before using that **Machine** in conjunction with the Bubble Winder.

Warning Label Descriptions

The **Bubble Winder** and the IPG AirSpace A3 Pro© are provided with Warning and Caution labels. **Do not remove any warning or caution labels** and keep them undamaged. In case a Warning or Caution label is damaged, contact **Nuevopak**, an **IPG Company**, or an authorized representative for replacement labels.

IMPORTANT SAFEGUARDS

Safety Components



WARNING! DO NOT REMOVE OR TAMPER WITH THE SAFETY COMPONENTS. DO NOT REMOVE THE COVERS. THE ACCESS COVERS MAY ONLY BE REMOVED BY AN AUTHORIZED NUEVOPAK/IPG REPRESENTATIVE OR QUALIFIED SERVICE PERSONNEL THAT HAVE BEEN TRAINED BY A NUEVOPAK/IPG REPRESENTATIVE.

The following is a list (Table 1) and illustration (Figure 2) of the safety components and warning labels which are part of the **Bubble Winder**.

Table 1: Safety Components

Safety Component	Description
Emergency Stop Button (E-Stop)	This switch, located on the top of the IPG AirSpace A3 Pro ®, interrupts the power to the entire IPG AirSpace A3 Pro ® when pushed.
Bubble Winder Electrical Cover	Electrical box cover prevents the user to access the Bubble Winder interior electrical components.
Bubble Winder Arm Cover	Arm cover prevents the user to access the Bubble Winder interior components.
Fuse	10 amp 250 volt, 5 x 20mm

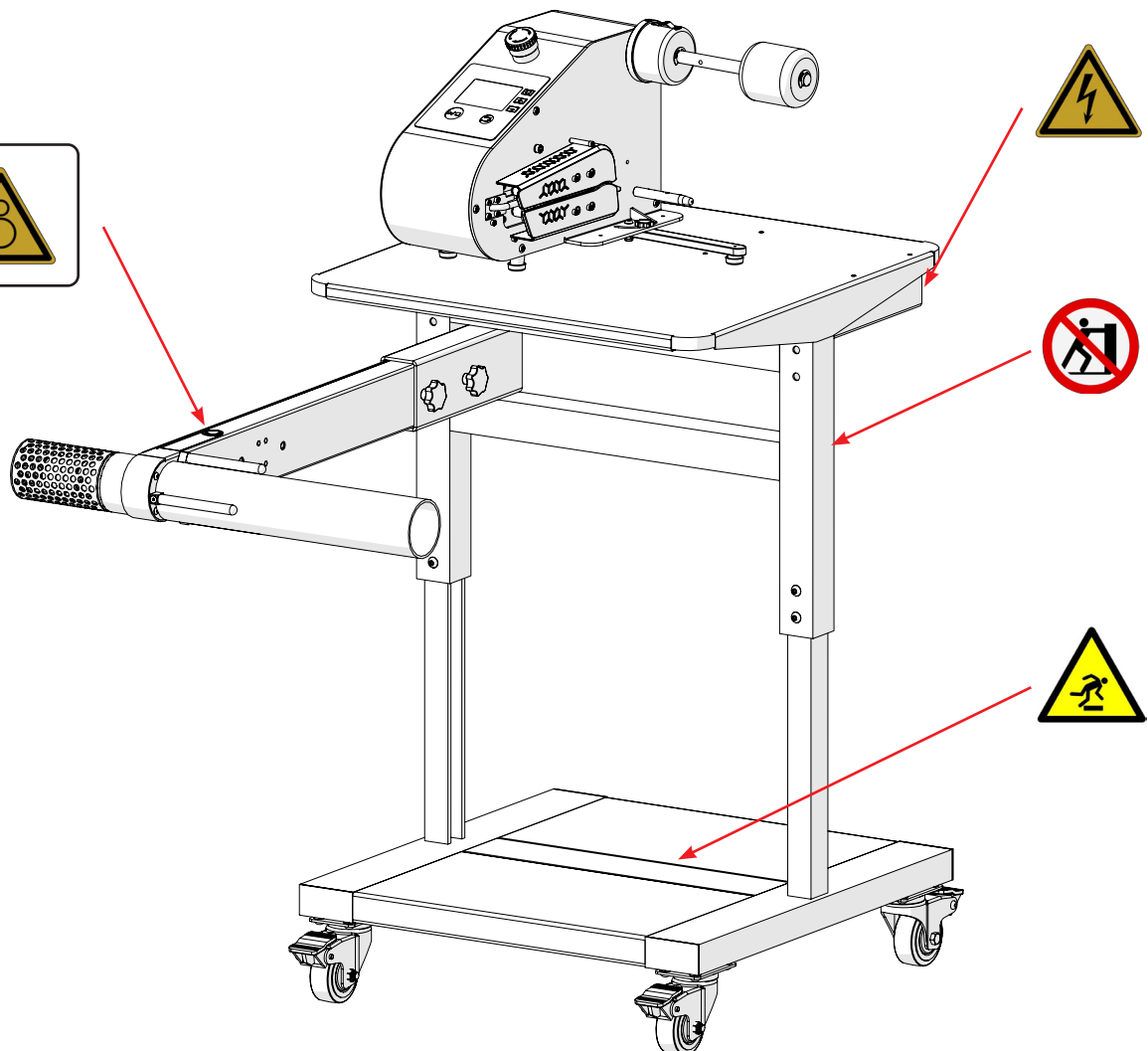
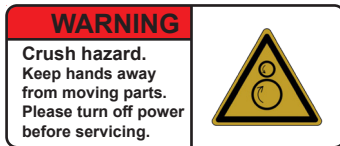


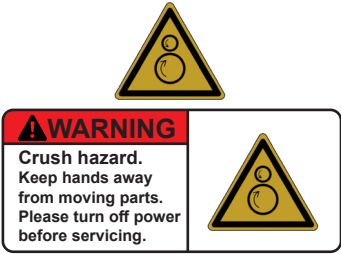









Figure 2: Safety Label Placement

IMPORTANT SAFEGUARDS

Warning and Caution Labels

Table 2: Warning and Caution Labels

Symbol	Meaning
	Read the instruction manual/booklet before starting work or before operation the Machine.
	Disconnect the main plug for maintenance purposes, in case of malfunction or when the Machine is left unattended.
	Do not put hands into designated openings. Crush hazard.
	Hot surface. Allow time to cool before servicing.
	Take care to avoid injury to hands when in the surrounding area of equipment with closing or adjusting mechanical parts.
	Take care to avoid injury from sharp elements.
	Take care when in the surrounding area of a floor that is not level, tripping hazards exist.
	Electricity. Take care to avoid coming into contact with electricity.
	Do not push or lean against the Machine when stationary or attached to any accessories.
	Emergency Stop. Use this button to interrupt the power to the entire Machine.

Some of the above safety labels will be located on the IPG AirSpace A3 Pro©. Please refer to that machine's manual for locations and descriptions on the IPG AirSpace A3 Pro©.

INTENDED USE

Intended Use of Bubble Winder



CAUTION! USING THE MACHINE BEYOND ITS CAPABILITY, BEYOND THE PHYSICAL USER CONDITIONS, OR WITHOUT FOLLOWING THE SAFETY PRECAUTIONS AS DESCRIBED IN THE SET-UP MANUAL AND THIS USER MANUAL CAN BE CONSIDERED AS MISUSE. READ THIS USER MANUAL BEFORE STARTING WORK OR BEFORE OPERATING THE MACHINE.

1. The void fill product created by the **Machine System** are intended to be used only as packaging material.
2. Only void fill film products which are intended to be used for the **IPG AirSpace A3 Pro**® and which are supplied by an **IPG Authorized Representative** may be used.
3. Only accessories which are intended to be used for the **Bubble Winder** and which are supplied by an **IPG Authorized Representative** may be used.
4. Connect the **Bubble Winder** to a properly grounded outlet only.
5. To disconnect, turn the I/O Main Switch to O [OFF] and disconnect the Main Power Cord Plug from the main power outlet.
6. Do not unplug cables by pulling on cord. To unplug grasp the plug, not the cord.

The following applications or acts are not suitable for the **Machine System** and constitute improper use:

1. **DO NOT** use a void fill film products other than those produced and supplied by a **Nuevopak** or **IPG Company** representative and intended for use on the **Machine System**.
2. **DO NOT** use outside or in humid conditions.
3. **DO NOT** use in potentially explosive environments.
4. **DO NOT** wash or clean the **Machine System** with excessive quantities of water.
5. **DO NOT** stand on the **Machine System** or its stand/accessories.
6. **DO NOT** place objects against or on top of the **Machine System**.
7. **DO NOT** move the **Machine System** while the power plug is still connected to the AC power supply.

Disclaimer

The intended use of the **Machine System** is to convert film, from a wound roll, into void fill material. **Nuevopak**, an **IPG Company**, and its authorized representatives are not responsible for any accidents, damages or errors caused by:

1. Not following the instructions and illustrations as described in this **Bubble Winder** user manual.
2. Use of components which are not supplied by **Nuevopak**, an **IPG Company**, or an authorized representative.
3. Repairs or modifications done by anyone other than a **Nuevopak**, an **IPG Company**, authorized representative or a **Nuevopak**, an **IPG Company**, trained service technician.
4. Improper use or alteration to any of the original parts of the **Machine System**.
5. Not keeping the **Machine System** covers attached with the provided tamper-proof screws.



WARNING! DO NOT REMOVE OR TAMPER WITH THE SAFETY COMPONENTS. DO NOT REMOVE THE COVERS. THE ACCESS COVERS MAY ONLY BE REMOVED BY AN AUTHORIZED NUEVOPAK/IPG REPRESENTATIVE OR QUALIFIED SERVICE PERSONNEL THAT HAVE BEEN TRAINED BY A NUEVOPAK/IPG REPRESENTATIVE.

TECHNICAL SPECIFICATIONS

Table 3: Technical Specifications

Machine Component	Specification
Dimensions	48" x 28" x 52" (1220 mm x 712 mm x 1320 mm)
Weight of Bubble Winder	100 lbs (45.4 kg)
Weight with machine and film installed	127 lbs (57.6 kg) weight of film may vary based on style
Maximum sound pressure level	69dB(A) +/- 2.5dB(A)
Non-ionizing radiation	Not applicable
IP class	IP 20
Installation class	Class I
Supply voltage (U)	100 – 240, 1PH
Frequency	50-60 Hz
Current (I)	2.4 A (110VAC)
Power (P)	0.26KW (110VAC)
Fuse rating (A)	2 A (250VAC)
Electric receptacle	15 A (110VAC)
Color	Blue and Grey
Construction	Metal
Accessories mechanical construction	Varies
Storage temperature	-4 - 122°F (-20- 50°C)
Operation temperature	41 - 104°F(5 - 40°C)
Storage humidity	"Dry" ~ 95% (in protective packaging)
Operating humidity	30 ~ 90%, non-condensing
The electrical equipment shall be capable of operating correctly when the relative humidity does exceed 90% at a maximum temperature of 68°F (20°C).	
Electrical equipment shall be capable of operating correctly at altitudes up to 6,562 ft. (2,000m) mean sea level.	

Film Specifications

The Bubble Winder is intended for use with only Bubble-on-Demand. The IPG AirSpace A3 Pro© is capable of processing a variety of film and film types, this includes BoD. Use only IPG approved void fill film in the AirSpace 3 Pro. See the set up document for more details on the film settings.

MACHINE OPERATIONS

Component Layout

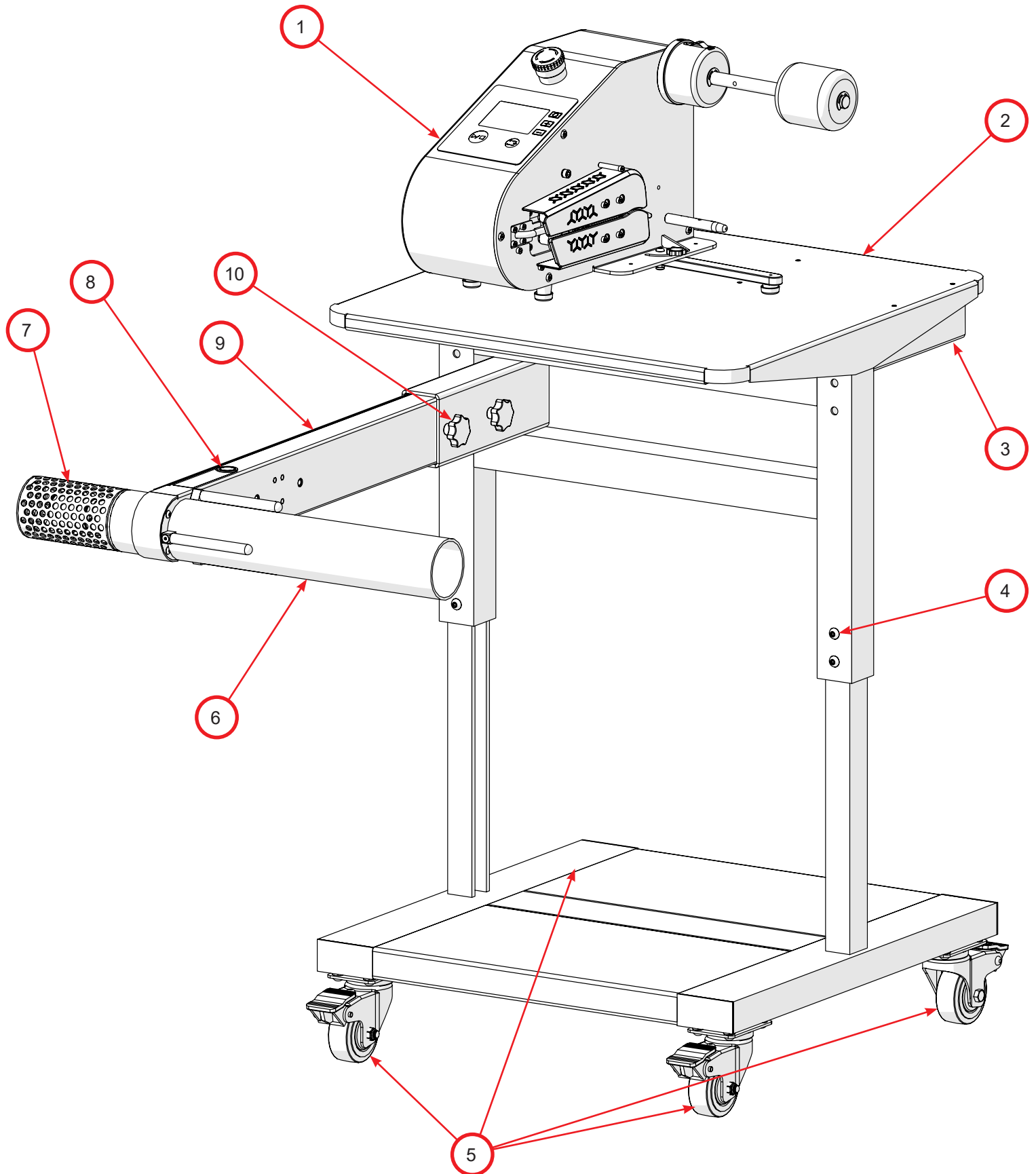


Figure 3: Component Layout

MACHINE OPERATIONS

Component Layout

Legend	
Item No.	Description
1	IPG AirSpace A3 Pro©
2	Upper Stand Weldment
3	Electrical Box Assembly
4	Leg Locking Screws
5	Locking Casters
6	Coil Mandrel
7	Motor/Motor Cover
8	User Operation Button
9	Arm Assembly
10	Grip Knobs

MACHINE SET-UP

The **Bubble Winder** can be set up by an IPG Authorized Trainer. The trainer will be provided a set up document for the **Bubble Winder**.

Required for safe use of the **Bubble Winder** by the Operator, ensure the **Bubble Winder** gets installed by the Installer according to the Operational limits as shown below.



WARNING! MAKE SURE THERE IS ONLY ONE PERSON PRESENT IN THE WORK AREA WHEN THE MACHINE IS OPERATED.

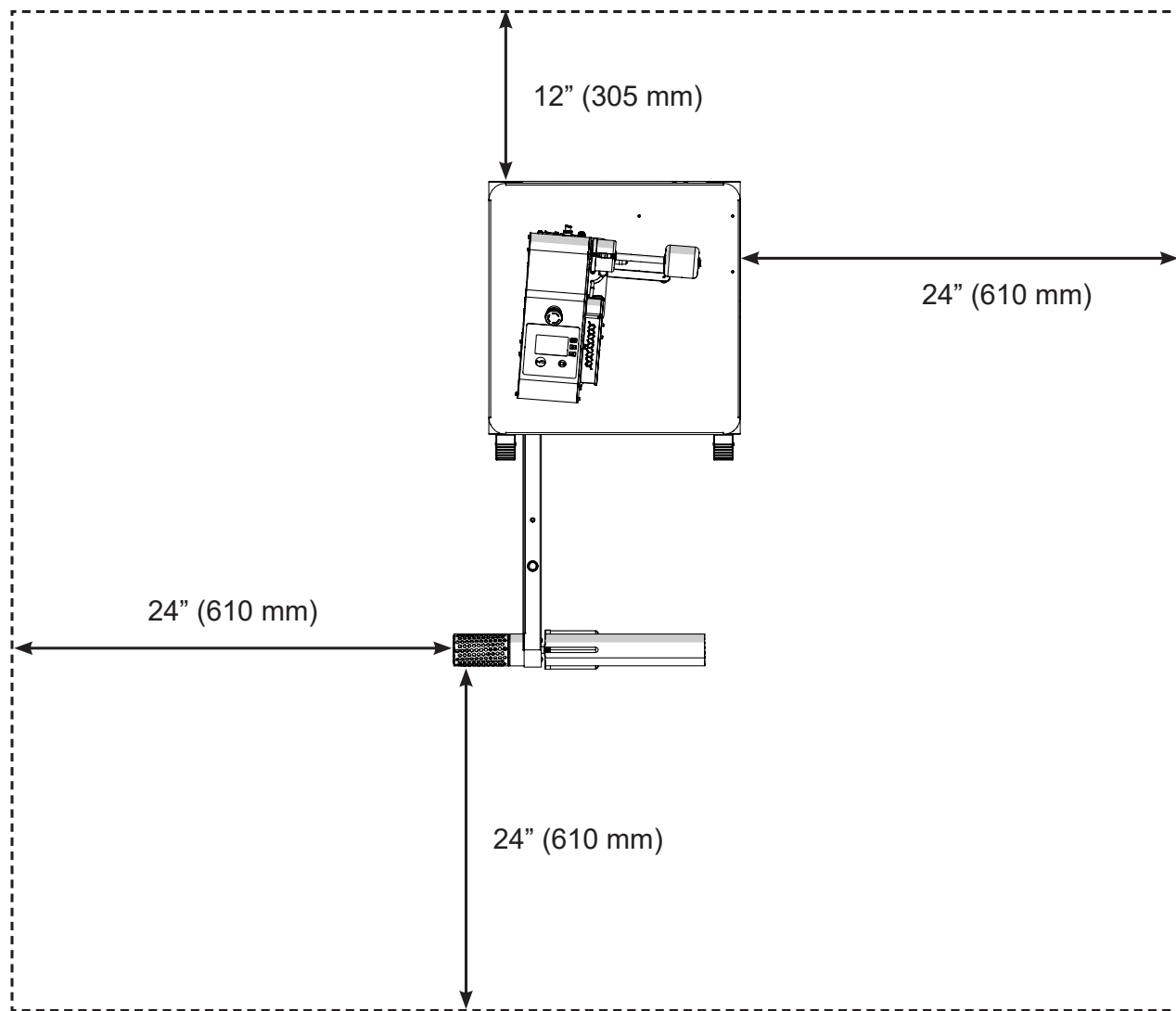


Figure 4: Safe Zone



WARNING! FAILURE TO PROPERLY GROUND THE SYSTEM COULD CREATE AN ELECTRICAL SHOCK HAZARD.

A qualified electrician should be consulted if there is any doubt as to whether an Main Power wall Socket is properly grounded.

Do not use outdoors.



WARNING! NEITHER THE MACHINE NOR ITS ACCESSORIES ARE INTENDED FOR USE WITH OR AROUND POTENTIALLY FLAMMABLE OR EXPLOSIVE MATERIALS.

MACHINE CONTROLS

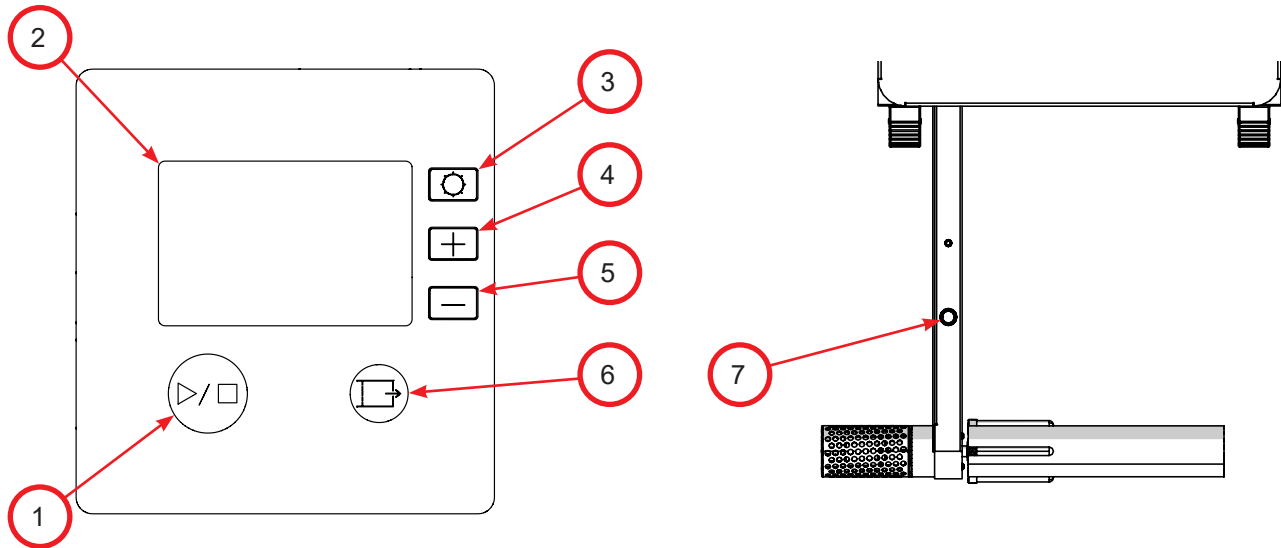


Figure 5: Machine System Controls

LEGEND	
Item No.	Description
1	Start/Stop Button – This button will begin the normal function of the IPG AirSpace A3 Pro ®, processing film and turning it into Void Fill Material
2	LCD Screen – This will display all current settings
3	Setting Button – When in Service Mode this button will change the selected option on the screen.
4	(+) Button – When in Service Mode use this button to increase the value of the selected option on the screen
5	(-) Button – When in Service Mode use this button to decrease the value of the selected option on the screen
6	Film Jog Button – Press and hold to advance the belts for loading film
7	Multifunction Bubble Winder Operation Button and Status Light

MACHINE CONTROLS

The **Bubble Winder** only uses a single touch capacitive button for the operator. This button is multi-colored to allow the operator to quickly identify the status of the **Bubble Winder** as well as any potential errors. The **Bubble Winder** will automatically communicate with the **IPG AirSpace A3 Pro**®. The **IPG AirSpace A3 Pro**® will need to be set up in Continuous Mode, please refer to the User Manual of the **IPG AirSpace A3 Pro**® for its set up and operating modes, the **Bubble Winder** will act as a foot switch to control the **IPG AirSpace A3 Pro**®.

White: The **Bubble Winder** is booting

Blue: The **Bubble Winder** is ready to accept film and begin making a coil, press to begin making a coil

Red: The **Bubble Winder** is actively making a coil, press to stop making a coil

Blinking Yellow: The **Bubble Winder** has detected an error

Blinking Blue: The **Bubble Winder** has lost communications with the **IPG AirSpace A3 Pro**®

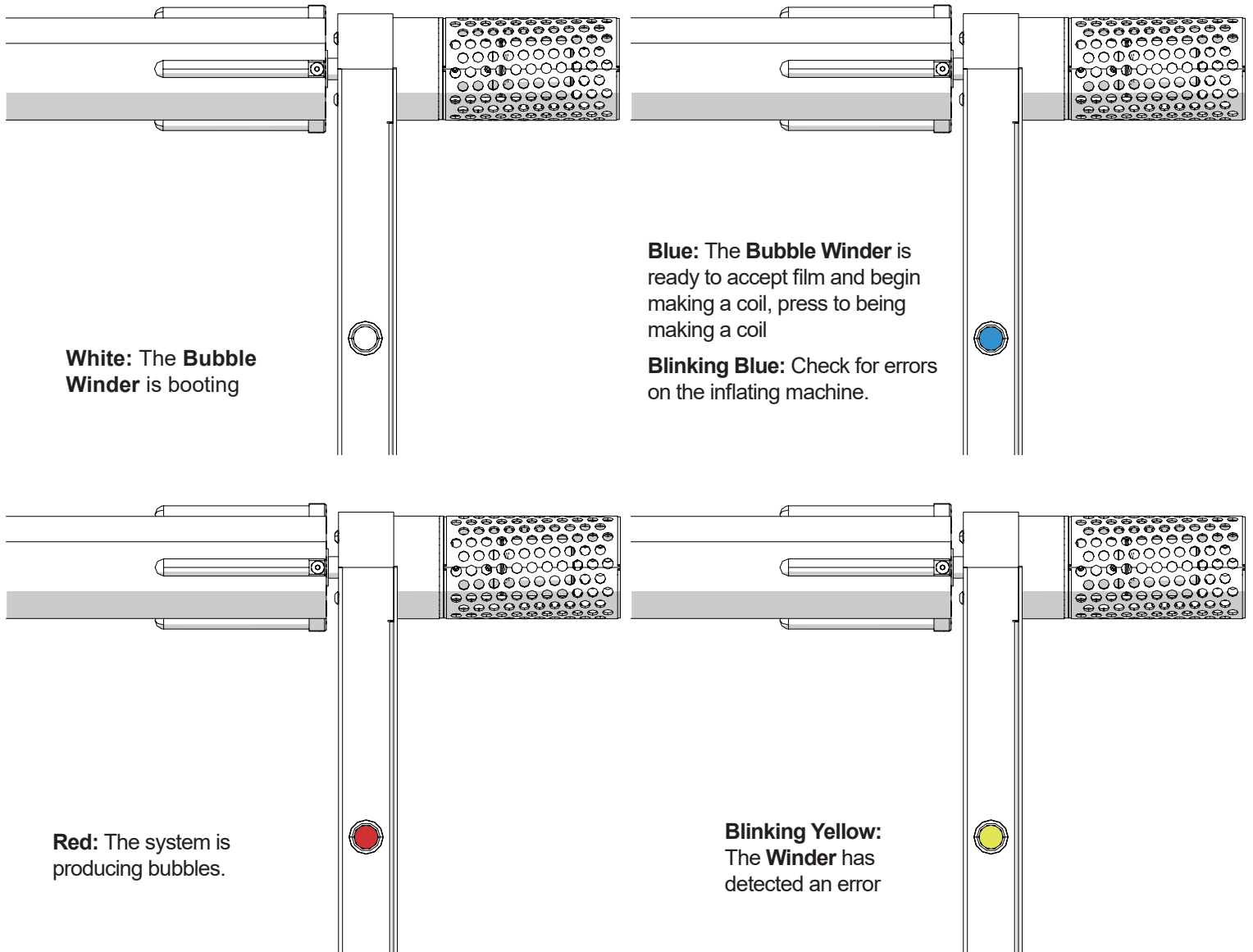


Figure 1: Button Color Codes

MACHINE CONTROLS

Machine Modes of the IPG AirSpace A3 Pro[®] Machine used with the Bubble Winder

The IPG AirSpace A3 Pro[®] is designed to operate in several modes with a variety of accessories and is able to be adjusted to accept a wide variety of film, including Bubble-on-Demand (BoD). Some adjustments may need to be made to accommodate small discrepancies in film manufacturing from batch to batch. Please consult the film addendum for baseline settings on film. **ONLY** BoD can be used with the Bubble Winder.

Installing Film Onto the IPG AirSpace A3 Pro[®] and Operating the Bubble Winder

1. Lock all casters.
2. Ensure all cables are properly connected to the IPG AirSpace A3 Pro[®]'s rear panel (Ports 1 & 3).
3. Ensure the Main Power Connection is properly connected to both the IPG AirSpace A3 Pro[®] and Bubble Winder as well as the wall socket.
 - Verify the power cords are not damaged
4. The **Emergency Stop button** on the inflating machine is not pressed.
5. Turn the **Bubble Winder ON** by switching the **I/O Main Switch** on the rear of the **Machine** to the **[I]** position.
 - The button on the **Bubble Winder** will be white while the system boots and will change to blue when the machine is ready and at idle.
6. Turn the **IPG AirSpace A3 Pro[®] ON** by switching the **I/O Main Switch** on the rear of the **Machine** to the **[I]** position.
7. Verify the **IPG AirSpace A3 Pro[®]** settings are set to the desired settings for your film.
8. Place the **Roll of Bubble-on-Demand Film** over the mandrel and verify it is fully seated.
 - Film should peel off the roll over the top towards the rear of the **IPG AirSpace A3 Pro[®]** follow the Film Threading Path for details, Figure 10 should be used for Bubble-on-Demand (BoD).
9. Place the film air channel over the nozzle of the **IPG AirSpace A3 Pro[®]**.
10. Use one hand to pull the film while simultaneously holding the "Jog Film" button (Figure 9) to advance the film through the belts of the **IPG AirSpace A3 Pro[®]**. Stop once the film has exited the belts.
11. Press the start/stop button and allow the **IPG AirSpace A3 Pro[®]** to dispense bubbles until one (1) fully inflated sheet has extended beyond the mandrel of the **Bubble Winder** then press the start/stop button again to stop the production of bubbles.
12. Carefully slip at least two full rows of fully inflated bubbles under the fingers of the **Bubble Winder** mandrel.
 - Finger should rest in the gap between rows two and three of the film (Figure 11).
13. Press the blue capacitive touch button on the mandrel arm of the **Bubble Winder**.
14. The **Bubble Winder** will begin to rotate the mandrel and once proper tension has been achieved the **IPG AirSpace A3 Pro[®]** will start automatically. The button on the **Bubble Winder** will turn red when it is in operation. If too much film has been initially produced the Bubble Winder may time out.
15. Once the **Bubble Winder** has created a full coil of bubbles it will automatically stop and simultaneously stop the **IPG AirSpace A3 Pro[®]** the operator will need to manually separate the bubbles and remove the coil from the **Bubble Winder** mandrel.

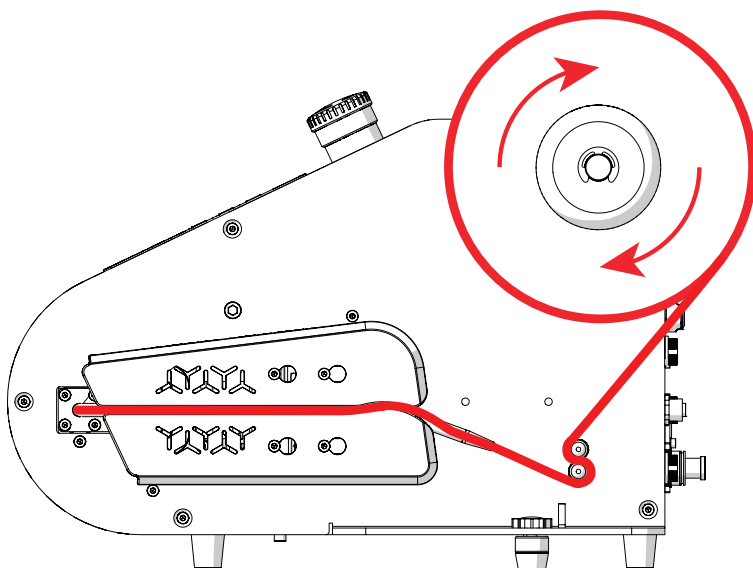


Figure 6: Film Threading Path for BoD

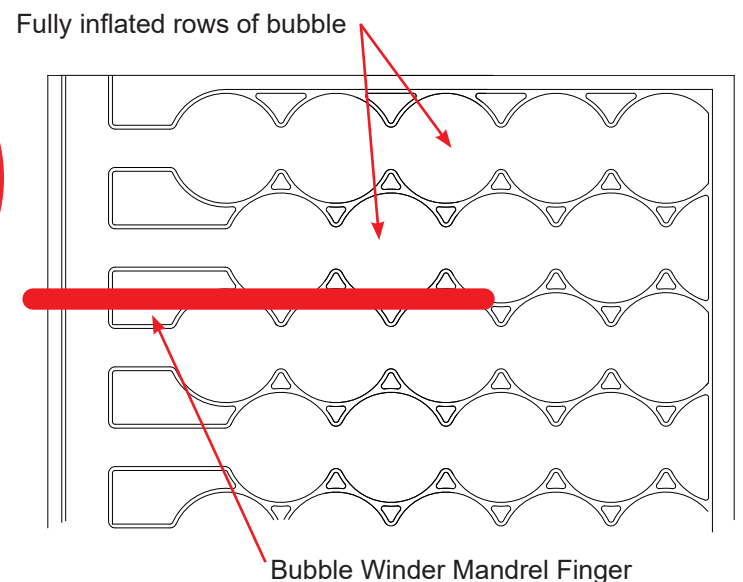


Figure 7: Mandrel Finger Placement

MAINTENANCE

Inspection, Maintenance, and Repair



WARNING! THE OPERATOR MAY NOT PERFORM ANY MAINTENANCE OR REPAIR PROCEDURES OTHER THAN THOSE THAT ARE WRITTEN AND SPECIFIED UNDER “ OPERATOR WEEKLY INSPECTION INTERVAL ” AND IN THE SECTION “ TROUBLESHOOTING ” WHICH ARE SPECIFICALLY POINTED OUT TO THE OPERATOR IN THIS USER MANUAL.



CAUTION! IN THE EVENT OF A DEFECT, OR IF THE OPERATION OF THE MACHINE DIFFERS FROM THE DESCRIPTIONS IN THIS USER MANUAL, TURN THE I/O MAIN SWITCH TO O [OFF] AND DISCONNECT THE MAIN POWER CORD PLUG FROM THE MAIN POWER UNTIL THE UNIT CAN BE INSPECTED BY A TRAINED NUEVOPAK, AN IPG COMPANY, REPRESENTATIVE, OR QUALIFIED SERVICE PERSONNEL.

Operator Weekly Inspection Interval

This section contains the following **Operator** procedures:

1. Weekly Inspection Interval



Check if:

- Covers are properly fixated and not damaged.
- Bubble Winder and IPG AirSpace A3 Pro© cables are not cut, broken, or damaged.
- Cords or plugs are not damaged.
- Machine and accessories components are fixated well.
- All controls and indicators function properly.



CAUTION! DO NOT OPERATE ANY SYSTEM WITH A DAMAGED CORD OR PLUG, OR AFTER THE SYSTEM MALFUNCTIONS OR IS DROPPED OR DAMAGED IN ANY MANNER. RETURN THE SYSTEM TO THE NEAREST AUTHORIZED SERVICE FACILITY FOR EXAMINATION, REPAIR, ELECTRICAL OR MECHANICAL ADJUSTMENTS.

Preventative Maintenance Interval

Preventative maintenance/inspection should be conducted every six months or 50 rolls of film, whichever comes first. The qualified service personnel will inspect and replace any damaged components. Only **qualified service personnel** are permitted to conduct general maintenance and repairs on the **Machine System**. Those trained by qualified service personnel, referred to as **trainers** are permitted to conduct the following preventative maintenance on the **Machine System**. A service manual with notated **trainer** approved processes can be provided upon request.

General preventative maintenance includes:

- Inspecting belts for wear, replacing when necessary
- Inspecting blade, replacing when necessary
- Inspecting the drive rollers for wear, replacing when necessary
- Verifying the nozzle tip is smooth and free from sharp edges
- Verifying the Bubble Winder mandrel rotates freely
- Verifying the locking caster on the Bubble Winder are functioning correctly



PREVENTATIVE MAINTENANCE INSPECTIONS ARE DONE TO MAKE SURE THE MACHINE PREFORMS AT ITS EXPECTED LEVEL. THEY ARE PERFORMED AT INTERVALS OF EVERY 6 MONTHS OR AFTER USAGE OF 50 ROLLS OF FILM.

MAINTENANCE

Preventative Maintenance Interval



WARNING! ONLY QUALIFIED SERVICE PERSONNEL WHO HAVE BEEN TRAINED BY A NUEVOPAK OR IPG COMPANY REPRESENTATIVE ARE ALLOWED TO PERFORM MAINTENANCE AND REPAIR PROCEDURES. BEFORE ANY MAINTENANCE: SWITCH THE I/O MAIN SWITCH TO O [OFF] POSITION AND DISCONNECT THE MAIN POWER CORD PLUG FROM THE MAIN POWER.



BEFORE PERFORMING MAINTENANCE PROCEDURES READ AND THOROUGHLY UNDERSTAND THE SAFETY INSTRUCTIONS IN THIS USER MANUAL. QUALIFIED SERVICE PERSONNEL WILL HAVE A SERVICE MANUAL ON THE MACHINE.

1. The void fill air pillows created by the **Machine System** are intended to be used only as packaging material.
2. The operator may not perform any maintenance or repair procedures other than specified in **OPERATOR WEEKLY INSPECTION INTERVAL**.
3. Changes or modifications not expressly approved by **Nuevopak, an IPG Company**, could void the user's authority to operate the equipment.
4. In the event the maintenance required is beyond the scope outlined in this user manual, contact **Nuevopak, an IPG Company**, support for a qualified service technician.

TROUBLESHOOTING

General Troubleshooting

The **Machine System** is intended to be used for converting rolls of film into void fill air pillows. Repairs or modifications should be done by a **Nuevopak**, an **IPG Company**, authorized representative or **Nuevopak**, an **IPG Company**, trained Service Technician; refer to [Technical Support](#).

Problem	By Whom	Possible Causes	Solutions
There is no power to the Controls – the LCD screen does not light up.	Operator	1. The I/O Main Switch is positioned to the O [OFF] position.	The I/O Main Switch to the [I] ON position.
		2. IEC Main Power Cord Connection or Power Cord Plug is unplugged from the back of the Machine or at the Wall Socket .	Verify the IEC Main Power Cord connection is plugged into the Machine and the Power Cord Plug is plugged into properly rated Wall Socket.
		3. The Emergency Stop is engaged.	Rotate the emergency Stop button 1/4 turn clockwise to disengage.
	Service Technician	4. Main Fuse is defective.	Turn the I/O Main Switch to the O [OFF] position. Disconnect the Main Power Cord Plug from the main power. Replace with a 10A 250V 5X20mm (3/16" X 3/4") fuse.
		5. A cable reel is in use.	Replace the cable reel with an extension cable with a wire gauge of at least 14 AWG (1,5mm ²) with a maximum length of 11.5 ft. (3.5 m).
		6. Electrical or Mechanical defect.	Contact your authorized distributor or Nuevopak , an IPG Company representative.
		7. Display shows B1 Error .	Engage the Emergency Stop and disconnect from all energy sources and contact your authorized distributor or Nuevopak , an IPG Company , representative.
Air Pillows are not being produced. C1 Error .	Operator	1. The film roll has been depleted.	Reload the Machine with a new Roll of Film . Follow the film threading path (Figure 6) for proper threading.
		2. A film jam has occurred.	1. Remove the film from between the belts. Reload the film. 2. If jam continues to occur, contact your authorized distributor or Nuevopak , an IPG Company , representative.
	Service Technician	3. The nozzle is not aligned to the encoder wheel.	Follow the procedure to reset the nozzle. Contact Technical Support if unable to complete.

TROUBLESHOOTING

Problem	By Whom	Possible Causes	Solutions
The Bubble Winder is spinning but not making a coil – the button on the mandrel is BLINKING YELLOW.	Operator	1. The film has slipped off of the Bubble Coil Mandrel.	Slip the film under the mandrel finger (Figure 7), tear the excess material, restart the coil process by pressing the button.
		2. The Bubble Winder mandrel is not secured to the motor shaft or mandrel hub. It will spin freely with no resistance.	Contact your authorized distributor or Nuevopak , an IPG Company representative.
	Service Technician	3. The Bubble Winder mandrel is not secured to the motor shaft or mandrel hub. It will spin freely with no resistance.	Follow the set-up procedures in the Set-up manual for proper installation.
The Bubble Winder has stopped working and the button is blinking blue – the button on the mandrel is BLINKING BLUE.	Operator	1. Communication between the Bubble Winder and the IPG AirSpace A3 Pro ®.	1. Check the cable connections and verify all are properly seated. 2. Verify that power has not been lost to the PG AirSpace A3 Pro ®.

