



USER MANUAL

USA 2324-BB



For Serial Numbers:
TM430 XX X XXX



TABLE OF CONTENTS

TABLE OF CONTENTS	3
<i>TECHNICAL ASSISTANCE</i>	4
Replacement Parts	4
WARRANTY	5
DESCRIPTION OF MACHINE	6
Description	6
IMPORTANT SAFEGUARDS	7
SPECIFICATIONS	10
Machine Dimensions	10
Machine Weight.....	10
Power Requirements	11
Operating Speed.....	11
Operating Conditions	12
Tape Specifications	12
Carton Specifications	12
SET-UP PROCEDURE	14
Receiving and Handling.....	14
Set-Up	14
OPERATING INSTRUCTIONS	16
MAINTENANCE	18
TROUBLESHOOTING	19
RECOMMENDED SPARE PARTS	20
OPTIONAL EQUIPMENT	21
<i>PARTS LISTS</i>	22

TECHNICAL ASSISTANCE

Technical Support

This is the Interpack Model USA 2324-BB Case Sealer you ordered. It has been set up and tested in our factory with Intertape manufactured pressure sensitive tapes. If any problems occur when setting up or operating this equipment, please contact the authorized distributor from where you purchased this item.

Should you need to contact **Interpack Technical Support**, please have the Case Sealer **model number and serial number** available. This information can be found on the nameplate of the side panel of the machine. Interpack Technical Support is available during normal business hours (Eastern Time).

PHONE 813-621-8410 x101

If you have a technical question that does not require an immediate response, you may contact Interpack by fax.

FAX 813-621-8449

Replacement Parts

Order parts by item number, part name and quantity required. Replacement parts are available from your Authorized Interpack Distributor exclusively.

Should you require assistance selecting the correct part, you may call:

Intertape Polymer Group
Interpack Machinery
9940 Currie Davis Drive, Suite B23
Tampa, FL, 33619

Tel: 1-800-474-8273 Option 3

Fax: 1-800-462-1293

MODEL: _____

SERIAL NUMBER: _____

DISTRIBUTOR PURCHASED FROM: _____

DATE OF PURCHASE: _____

WARRANTY

EQUIPMENT WARRANTY AND LIMITED REMEDY: The following warranty is made in lieu of all other warranties, express or implied, including, but not limited to, the implied warranty of merchantability, the implied warranty of fitness for a particular purpose, and any implied warranty arising out of a course of dealing, a custom or usage of trade:

Intertape sells its Interpack Tape Heads, Case Tapers and Case Erectors with the following warranties:

1. The HSD® 2000 Tape Heads' knife blades, springs and wipe down rollers will be free from all defects for a period of ninety (90) days.
2. All other HSD® 2000 Tape Head parts will be free from all defects for one (1) year after delivery.
3. Water Activated Tapers' blades and brushes will be free from defects for ninety (90) days after delivery
4. Drive Belts will be free from defects for ninety (90) days after delivery
5. The Gear Motors will be free from defects for one (1) year after delivery.
6. All other components for Case Tapers and Case Erectors will be free from defects for one (1) year after delivery.

If any part is proven defective within its warranty period, then the exclusive remedy and Intertape's and the seller's sole obligation shall be, at Intertape's option, to repair or replace the part, provided the defective part is returned immediately to Intertape's factory or an authorized service station designated by Intertape.

A part will be presumed to have become defective after its warranty period unless the part is received or Intertape is notified of the problem no later than five (5) calendar days after the warranty period.

If Intertape is unable to repair or replace the part within a reasonable time, then Intertape, at its option, will replace the equipment or refund the purchase price. Intertape shall have no obligation to install the repaired or replacement part.

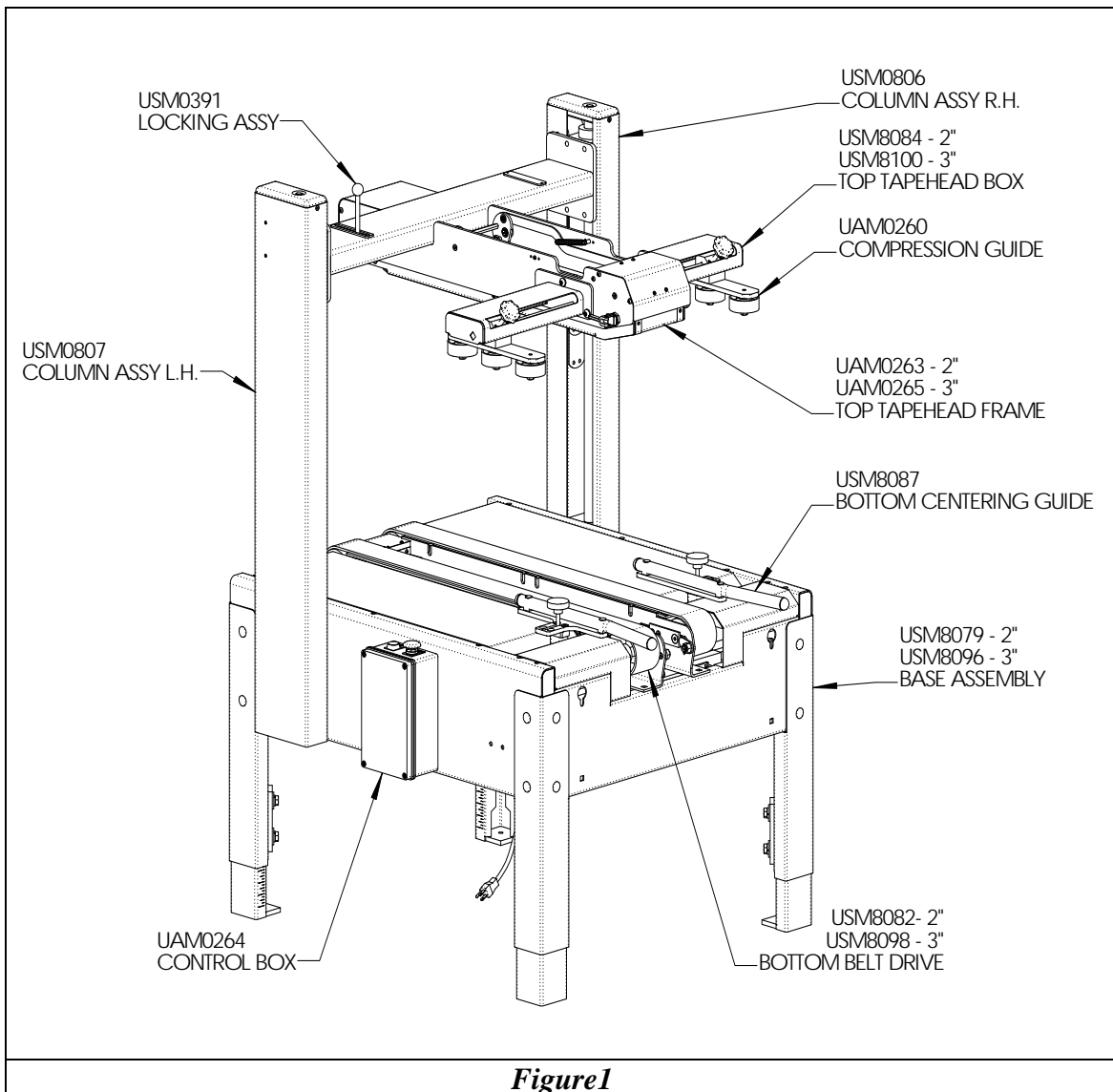
Intertape shall have no obligation to provide or pay for the labor required to install the repaired or replacement part. Intertape shall have no obligation to repair or replace (1) those parts failing due to: operator misuse, carelessness, or due to any accidental cause other than equipment failure, or (2) parts

1. Failure or damage is due to misapplication, lack of proper maintenance, abuse, improper installation or abnormal conditions such as temperature, moisture, dirt or corrosive matter, etc.
2. Failure due to inadequate cleaning, improper operating environment, improper utilities or operator error.
3. Failure due to operations above the rated capacities, or in any other improper manner, either intentional or otherwise.
4. Failure is due to equipment, which has been altered by anyone other than an authorized representative of Intertape Polymer Group.
5. Failure is due to an attempt by the purchaser to correct alleged defective equipment. In this event the purchaser is responsible for all expenses incurred.

LIMITATION OF LIABILITY: Intertape and seller shall not be liable for direct, indirect, special, incidental or consequential damages based upon breach of warranty, breach of contract, negligence, strict liability or any other legal theory.

The foregoing Equipment Warranty and Limited Remedy and Limitation of Liability may be changed only by written agreement signed by authorized officers of Intertape and seller.

DESCRIPTION OF MACHINE





Description

The Intertape USA 2324 BB Bottom Belt Drive Carton Sealing Machine with HSD2000 ET II Tape Heads is designed to apply Intertape brand Pressure Sensitive carton sealing tape to the top and bottom center seam of Regular Slotted Containers (RSC). The USA 2324 BB is manually adjustable to a wide range of carton sizes.

IMPORTANT SAFEGUARDS

There is a number of safety labels used on Intertape Carton Sealers.

<p>The illustrated label shown in Figure 2 is attached to the Knife Guard inside the upper and lower HSD2000 Tape Head. The label warns operators and service personnel of the very sharp knife used to cut the tape at the end of the tape application.</p> <p>The HSD2000 Tape Heads are equipped with a Knife guard that covers the blade. The Tape Heads should never be operated with the blade guards removed.</p> <p>Turn air and electrical supplies off before servicing the tape heads.</p>	 <p>! WARNING</p> <p>Sharp Cutting Blade</p>
<p><i>Figure 2</i></p>	

<p>The label shown in figure 3 is attached to the control box next to the on/off switch. The label warns the service personnel to unplug the power supply before attempting any service work on the carton sealer.</p>	 <p>! DANGER</p> <p>HAZARDOUS VOLTAGE</p> <p>Follow lockout procedures before servicing machine or electrical enclosures.</p> <p>Contact with live electrical parts will result in</p>
<p><i>Figure 3</i></p>	

The illustrated label shown in Figure 4 is located on the “In feed” end of the right hand drive belt. The label warns the operators and service personnel of the pinch point at the in feed ends of the drive base.



Figure 4

The illustrated label shown in Figure 5 is located on the exit end of the drive base it warns the operators and service personnel of the pinch points at the exit ends of the drive belts.

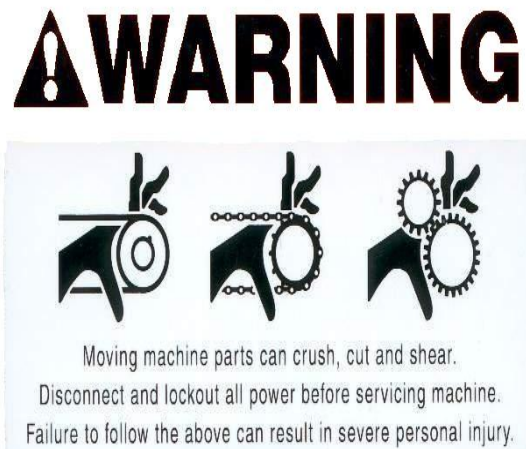


Figure 5

The illustrated label shown in Figure 6 is located on the side of the column. This label provides convenient safety instruction for the operator and service personnel in the operation of the Intertape Carton Sealing Equipment.

⚠ WARNING

OPERATION / SERVICE

- Only trained people are to operate and service machine.
- Shut off power to machine before adjusting.
- Unplug electrical power before servicing.

MACHINE MANUAL

For other important safety, operating and service information read this machine's manual.

EYE HAZARD

Wear Safety Glasses which conform to ANSI Std. Z87.1 or EN 166



COVERS AND GUARDS

All covers and guards must be in place before operating machine.

ELECTRICAL SHOCK

Hazardous voltages may cause personal injury.



Only authorized and qualified personnel are to service electrical enclosures.

FAILURE TO FOLLOW THE ABOVE COULD RESULT IN SEVERE INJURY.

Figure 6

Note: Should any of the safety labels placed on the Machine be damaged or destroyed, replacements are available.

SPECIFICATIONS

Machine Dimensions

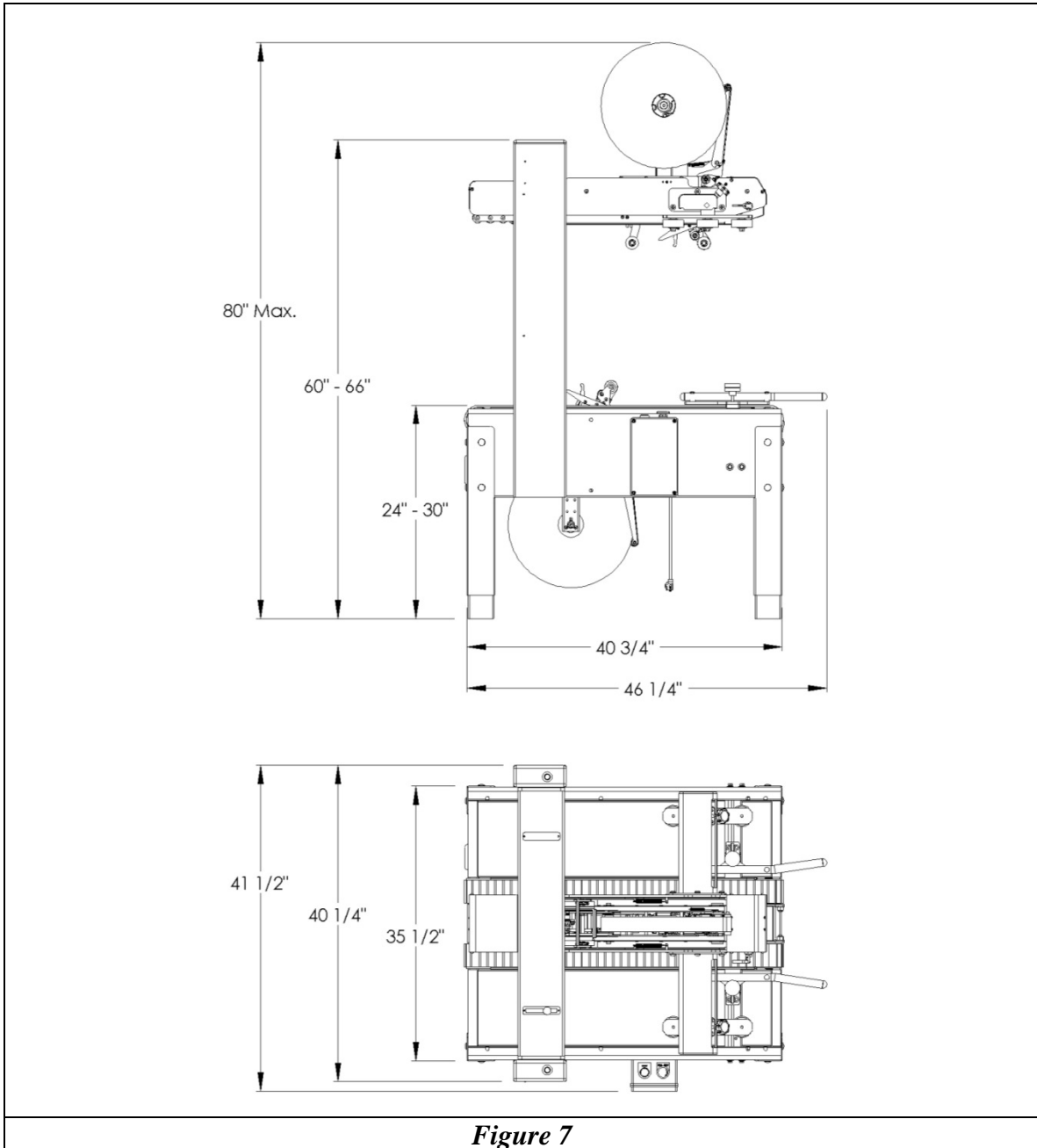


Figure 7

Machine Weight

630lbs. (286 kg) crated

Power Requirements

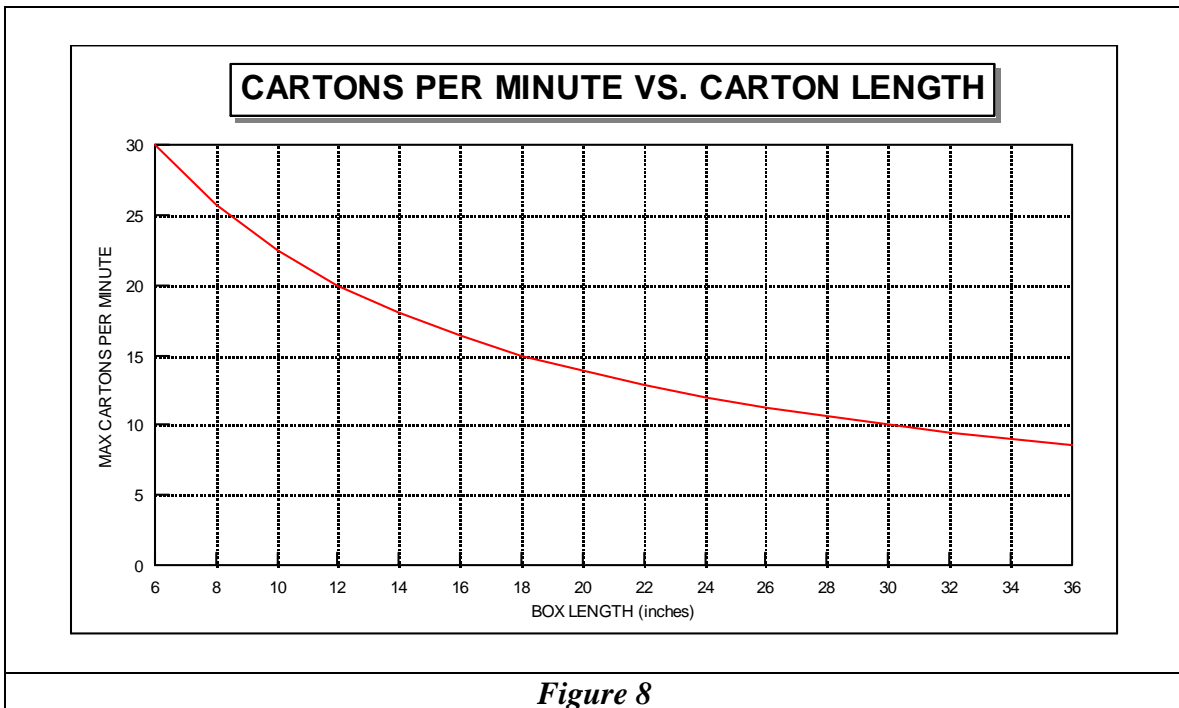
Electrical - 115 VAC, 60 HZ, 7.6 A (400 Watts)

This machine comes standard with one 1/2 HP gear motor and an electrical box.

The electrical box contains a Start switch, the Emergency Stop switch, and a Starting Relay with a thermal over load and can be located on either side of the carton sealer for customer convenience (specify with order). A twelve (12) foot standard three conductor power cord with plug is provided for **115V, 60HZ, 15 Amp** service. The receptacle providing this service must be properly grounded. Before the machine is plugged into the receptacle, ensure that the switch is **OFF** and all materials are removed from the machine.

Operating Speed

Actual production rate is dependent on operator's dexterity and the case size mix. Boxes must be 6 inches apart.



Operating Conditions

Use in a dry, relatively clean environment at 40° to 105° F (5° to 40° C) with clean dry cartons.

Note: Machine should not be washed down or subjected to conditions causing condensation on components.

Tape Specifications

Use **Intertape Brand** Pressure Sensitive Carton Sealing Tape.

The machine can accommodate 2 (48mm) or 3 inch (75mm) wide tape, depending on tape head supplied.

A maximum tape roll diameter of 16 inches (405 mm) on a 3-inch (76.2 mm) diameter core can be installed on the tape head. (Accommodates all Intertape brand film tape machine roll lengths).

The standard Application Leg Length of 2.5 inches (+0.25", -0") (63.5 mm, +6.3 mm, -0 mm) is the factory set length. The tape head can be adjusted to an optional length of 2 inches (+0.25", -0") (50.8 mm, +6.3 mm, -0 mm). Refer to the Tape Head manual for adjustment of tape application leg length.

Note: For further specifications on the tape heads consult the tape head manual for your specific tape head.

Carton Specifications

Type

Regular Slotted Containers (RSC)

Material

125 to 275 PSI bursting test, single or double wall B or C flutes.

Weight

5 to 85 lbs. (2.5 to 38.5 kg)

Size

Carton Size	Length	Width	Height
Minimum	7" (Optional 9")	7" (Optional 9")	2"
Maximum	Infinite	23" (Optional 26")	24"

The carton sealer can accommodate most cartons within the size ranges listed above. However, if the box length (in direction of seal) to box height ratio is .75 or less, than several boxes should be test run to assure proper machine performance. The formula is as follows;

$$\frac{\text{CARTON LENGTH IN DIRECTION OF SEAL}}{\text{CARTON HEIGHT}} > .75$$

SET-UP PROCEDURE

Receiving and Handling

The machine is shipped to the customer in a box and fixed to a pallet.

- Remove the strapping and the staples at the bottom of the box.
- Lift off the box cover and sleeve.
- Remove the mounting bolts and nuts, which secure the USA 2324-BB to the shipping pallet.
- Lift the machine off the pallet and install it in your packaging line.
- Remove all tie wraps and other shipping materials.

Note: After unpacking the machine, look for any damage that may have occurred during shipping. Should the machine be damaged, file a claim with the transport company and notify your Intertape representative as soon as possible.

Set-Up

The Carton Sealer must be installed on a near level ground. Use the adjustable legs to ensure that the machine is level and firmly on the ground (no rocking). Adjust the leg height with the four (4) telescopic adjustment legs to accommodate conveyor heights from 24 to 30 inches.

To adjust the Carton Sealer height, jack up the machine to give ample room to extend the legs. Using a 3/4" (19 mm) box end wrench, loosen the eight (8) 1/2" hex head bolts. Adjust the legs to the desired conveyor height and tighten the bolts. Etched lines on the legs ease leveling.

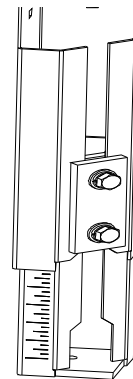
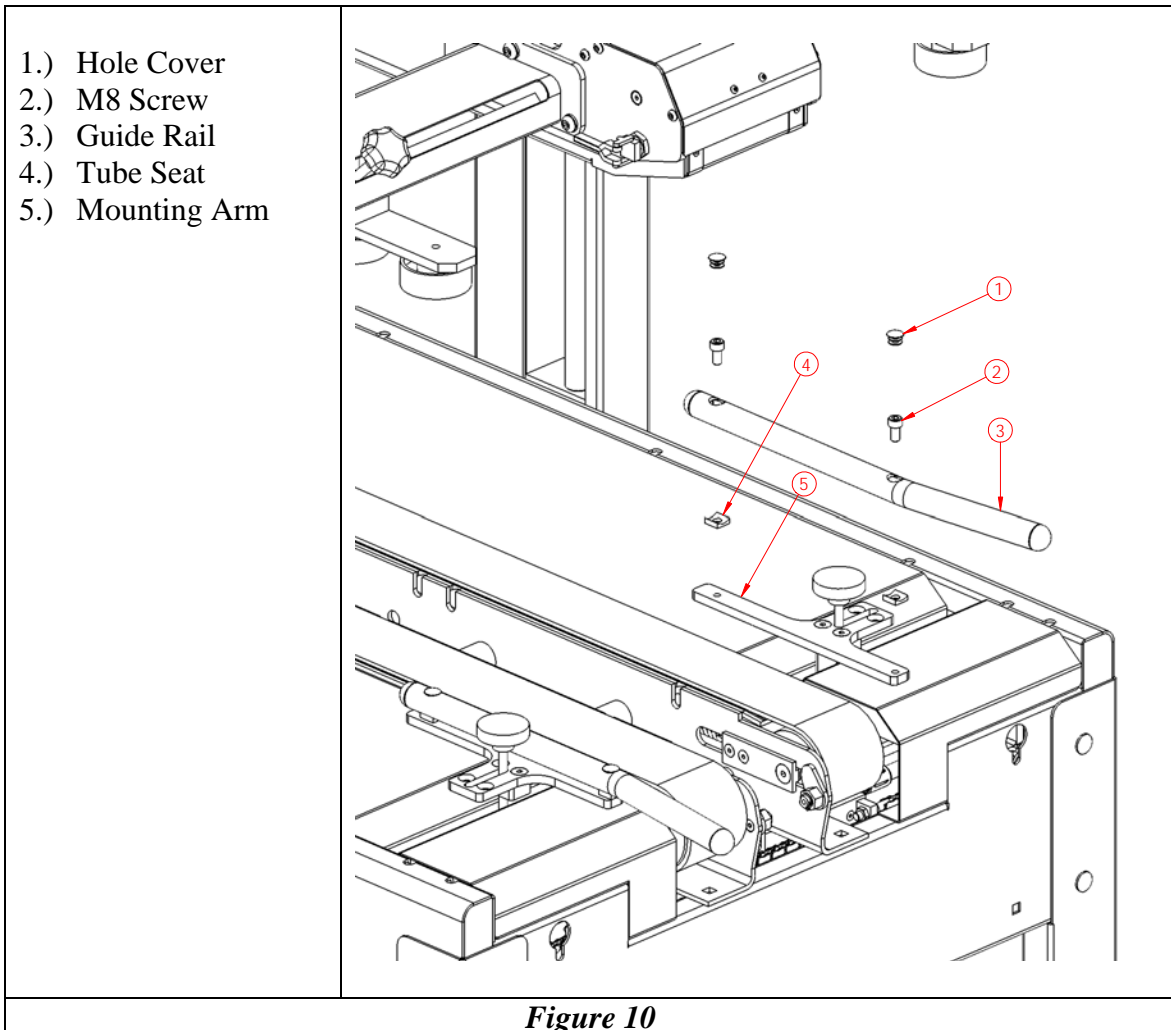


Figure 9

Customer supplied feed conveyor (if used) should provide straight and level entry into the carton sealer. Customer supplied exit conveyor (if used) should be straight and declined no more than 1/4"/foot away from the machine to convey the sealed cartons away from the machine.

To avoid shipping damage, we have removed the bottom centering rails from the machine. You will find them on the pallet wrapped separately. Please install them with the included screws as shown in figure 10.



Plug the power cord into an appropriate receptacle.

OPERATING INSTRUCTIONS

Once the Tape Heads, (both bottom and top) have been loaded with tape and threaded (refer to the appropriate Tape Head manual for loading and threading instructions) the machine is ready to process RSC cartons. The following instructions are presented in **the order recommended** for processing cartons successfully through the USA 2324 BB Carton Sealing machine.

- 1- Loosen the Arching Side Guide locking handle and open the Arching Side Guides completely (Push to outside of machine).
- 2- Loosen locking handle on the Top Tape Head Assembly and raise it until it clears the new carton.
- 3- Place a new carton between the Side Guides under the Top Tape Head Assembly, and close against carton under moderate pressure. (DO NOT CRUSH CARTON)
- 4- Lower the Top Tape Head Assembly until it rests on the carton and tighten the locking handle.
- 5- Loosen the Top Compression Guides locking handles (x2) and close against the carton enough to keep the slot in the center closed while taping and tighten the locking handles to secure the guides against the carton.
- 6- Remove the carton.
- 7- Check to insure all personal are clear.
- 8- Release the E-stop switch and start the machine with the green start button.
- 9- Feed the closed carton to the machine.

WARNING: Ensure that the operator's hands are away from the contact area between the Top Tape Head Box and the carton.

The top tape head in the top tape head can float in a lockable carriage (Figure 11). This carriage can be unlocked for overstuffed cartons or locked to apply more pressure against the belts as needed for the application.

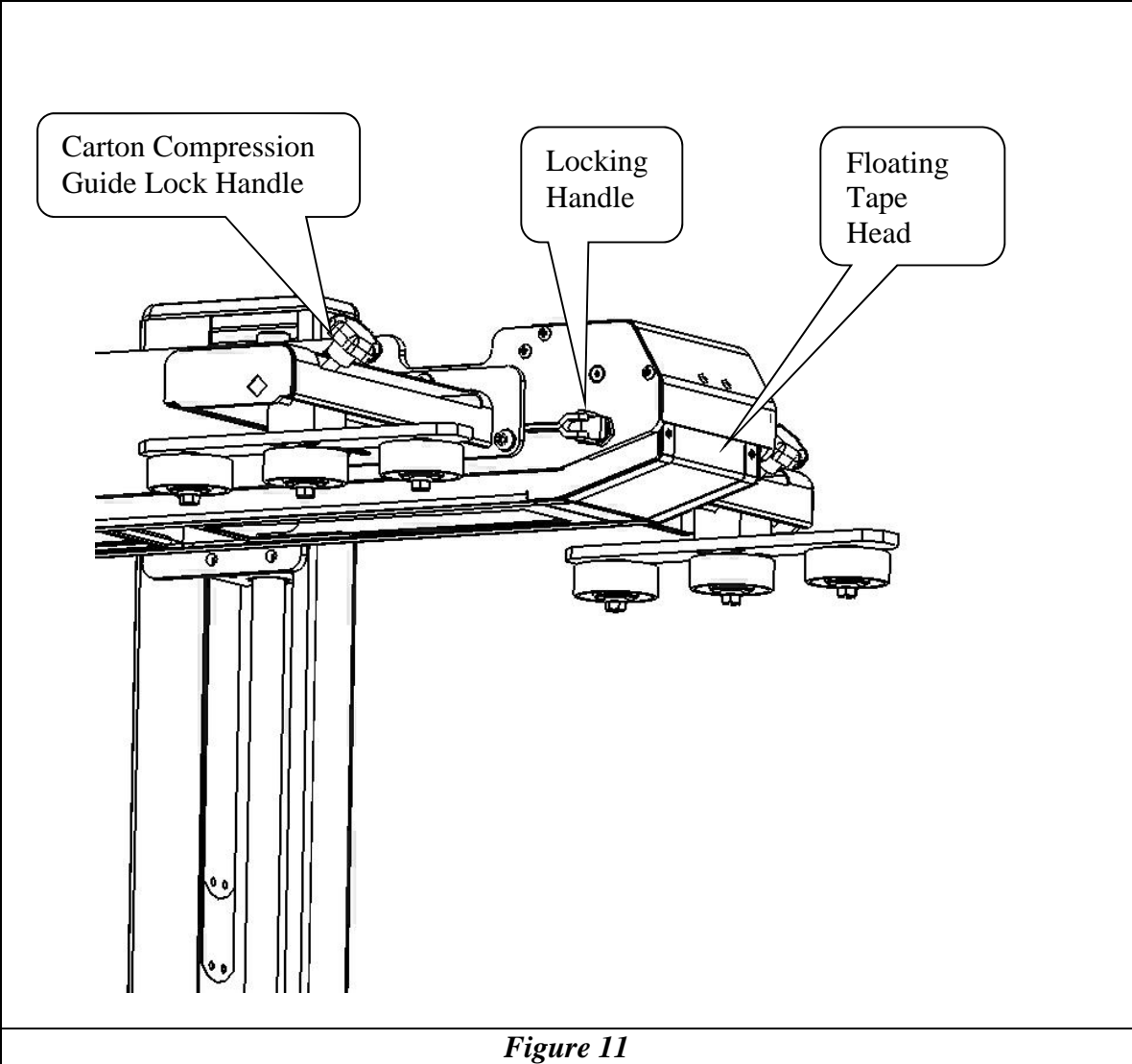


Figure 11

MAINTENANCE

The USA 2324-BB carton sealer has been designed for trouble-free service. The machine will perform best when it receives routine cleaning and maintenance.

Warning! Turn off electrical power and **lock out** the electrical supply before beginning cleaning or maintenance. If power cords are not disconnected, severe injury to personnel could result.

Lubrication

Spray column shafts, centering guide shafts and compression guide shafts once a month with silicon based dry film lubricant. This won't attract dust or lint from the surroundings.

Apply chain lube on the drive and centering guide chain once a month.

No other lubrication is necessary to operate the machine.

Cleaning

Cartons produce a sizable amount of dust and paper chips when processed or handled. If this dust is allowed to build up in the machine, it may cause component wear and overheating of motors. Remove the accumulated dust with a shop vacuum. Avoid using compressed air to remove the dust as this may cause the dust to penetrate into parts.

TROUBLESHOOTING

Interpack Machinery Carton Sealers are fabricated with high quality components that provide trouble-free operation for a long period of time. However, if a problem should occur we recommend that you always look for simple things first, then more complex problems. This is exactly how this table is constructed, as the numbers increase, complexity increases.

TROUBLE	POSSIBLE CAUSES	SOLUTIONS
The machine is turned on and nothing happens	1- The starter overload or the circuit breaker is tripped. 2- Machine is unplugged	1- Wait a few minutes for the thermal overload to reset or reset circuit breaker. Check proper amperage and voltage at power connection.
The Top Tape Head Box marks the cartons.	1- The Top Tape Head Box Assembly is too low.	1- Adjust the height of the Top Tape Head Box Assembly.
The Drive Belts are sliding on the carton.	1- The pressure between the Top Tape Head Box and the carton is not sufficient.	1- Lower the Top Tape Head Box onto the carton.
The cartons are not taped properly.	1- The tape head is not adjusted correctly	1- Refer to the Tape Head manual.

RECOMMENDED SPARE PARTS

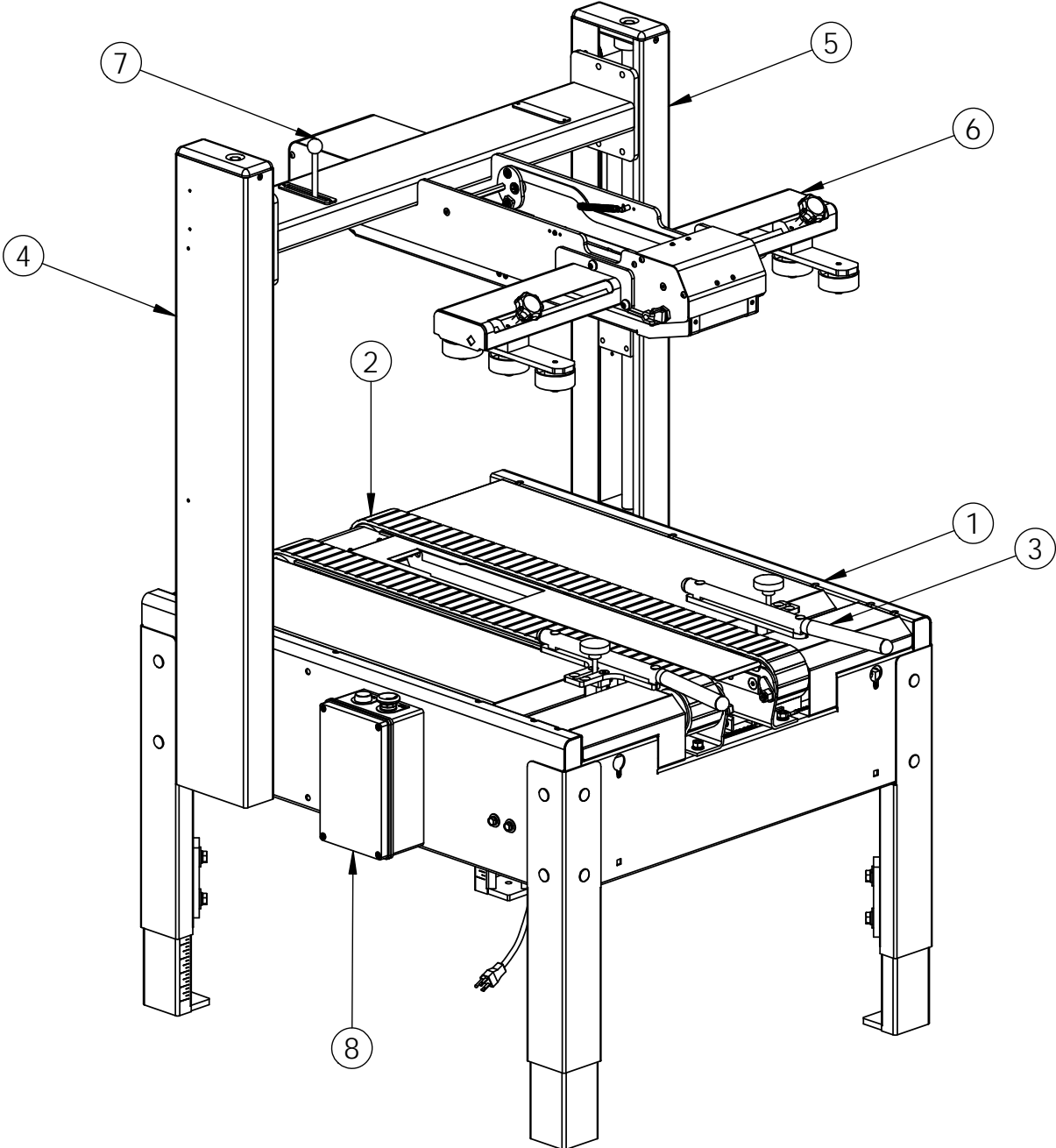
DESCRIPTION	ITEM NUMBER	RECOMMENDED QTY.
BEARING PULLEY	UPM0324	2
BELT, DRV SAG12E 75MM X 2136LG	UPM7468	2
FLANGED BEARING ¾ ID	UPM0339	2
LINEAR BEARING 25MM SHAFT	LM25UU	2
CONSTANT FORCE SPRING 33LBS	UPM0740	3
WHEEL 2-7/8" DIA. COMPR. GUIDE	UPM1659	3
SINGLE LOCKING HANDLE	UPM0688EV	1

OPTIONAL EQUIPMENT

Model Number	Description	Item Number	Quantity Per Machine
USA 2324 BB	Feed/Exit Table 16" (.4 M)	UM894T	1 or 2
	Feed/Exit Table 24" (.6 M)	UM998T	1 or 2
	Feed/Exit Table 36" (.9 M)	UM898T	1 or 2
	Heavy Duty Casters	UM841	1 set of 4
	Secondary E-Stop	UM9003	1
	Carton Hold Down Device	UM897	1

APPENDIX A – PARTS LISTS – UM430TW

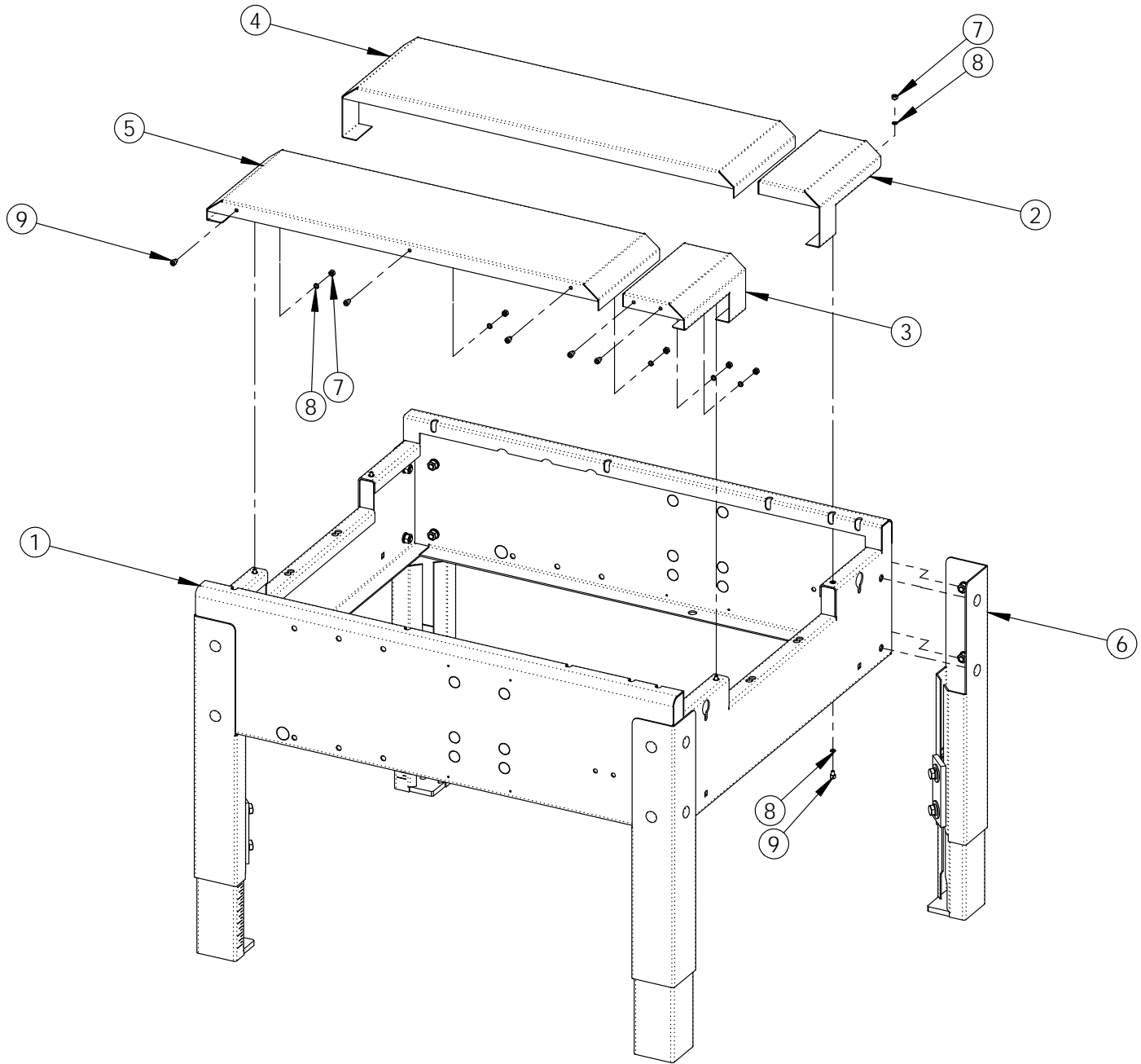
UM430TW



UM430TW

ITEM NO.	PART NUMBER	DESCRIPTION	QTY.
1	USM8096	BASE USA2324 3"	1
2	USM8098	BB DRIVE USA2324 3"	1
3	USM8087	BOTTOM CENTRING GUIDE	1
4	USM0807	COLUMN 24 LEFT ASS'Y	1
5	USM0806	COLUMN 24 RIGHT ASS'Y	1
6	USM8100	TOP TH BOX USA2324 BB	1
7	USM0391	SINGLE LOCK.ASS'Y	1
8	USM8092	ELECTRICAL ASS'Y	1

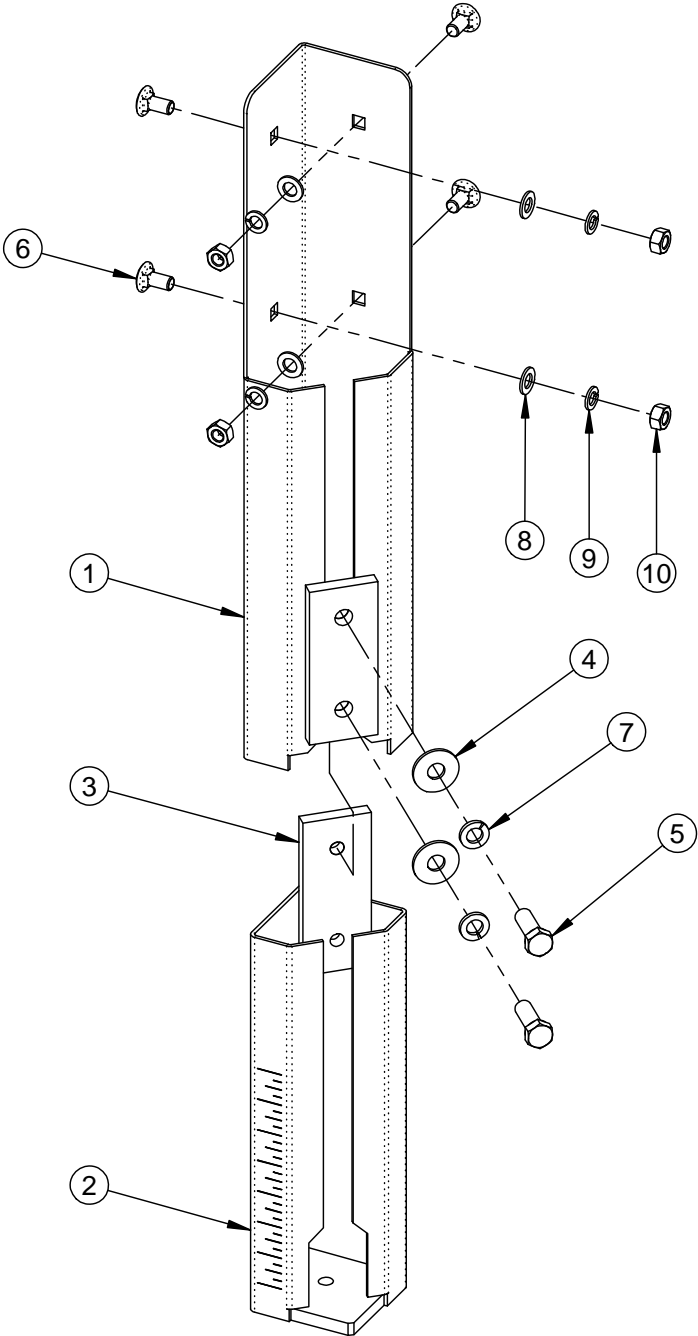
USM8096



USM8096

ITEM NO.	PART NUMBER	DESCRIPTION	QTY.
1	UPM7394	BASE FRAME	1
2	UPM7545	FRONT COVER RIGHT SIDE 3"	1
3	UPM7544	FRONT COVER LEFT SIDE 3"	1
4	UPM7542	REAR COVER RIGHT SIDE 3"	1
5	UPM7543	REAR COVER LEFT SIDE 3"	1
6	UAM0275	LEG ASSEMBLY METRIC	4
7	UF3637	HNR M6-1.0	14
8	UF6363	LW M6	28
9	UF0810	SHCS M6-1 x 8	14

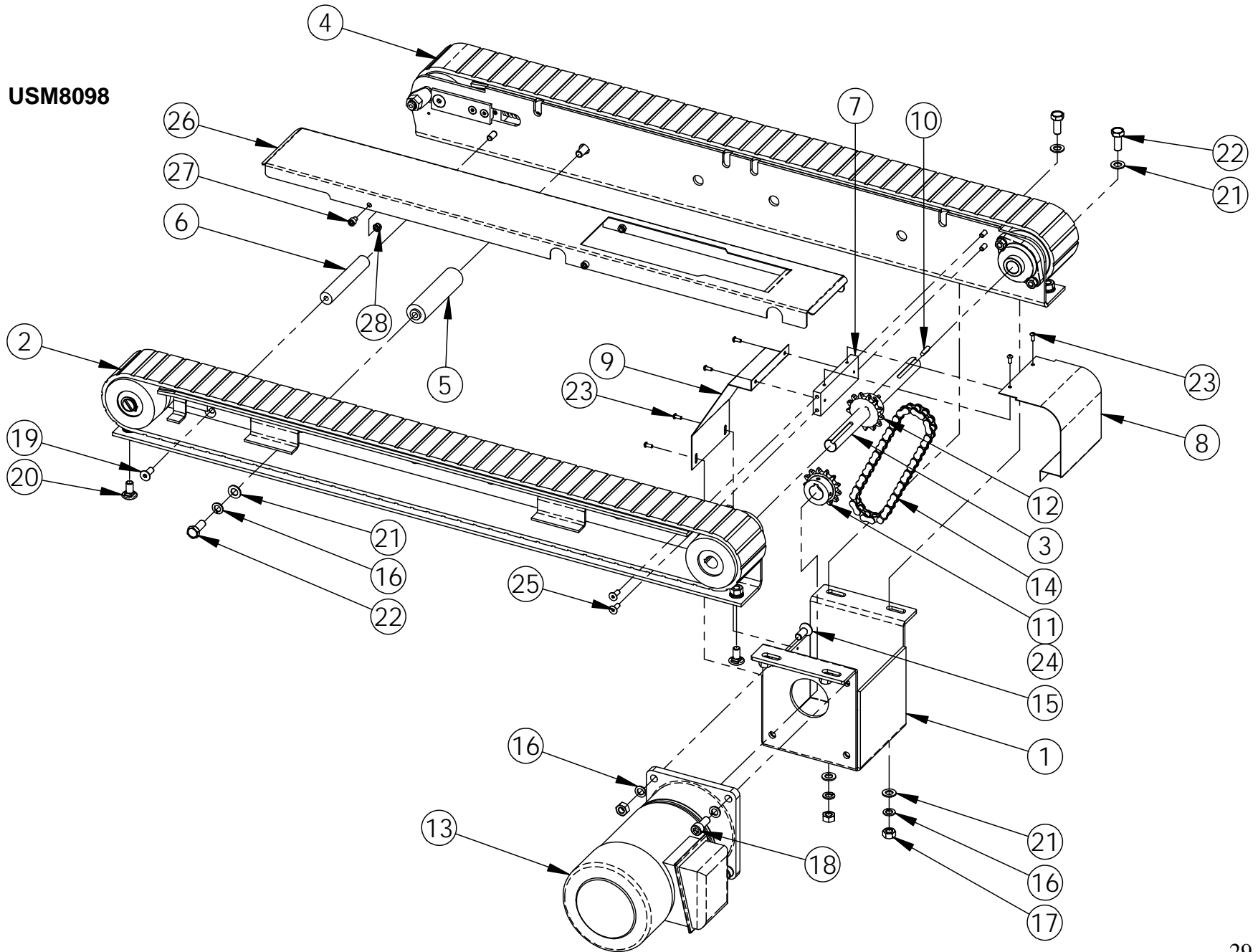
UAM0275



UAM0275

ITEM	PART #	DESCRIPTION	QTY.
1	UPM7640	LEG WELDMENT	1
2	UPM7641	LEG ADJUSTMENT	1
3	UPM7642	LEG FRICTION PLATE	1
4	UF4231	FW M12	2
5	UF6393	HHCSM12-1.75 x 35mm	2
6	UF4229	CARRIAGE BOLT M10-1.5 x 20	4
7	UF4230	L.W. ZINC M12	2
8	UF3680	FW M10	4
9	UF6371	LW M10	4
10	UF6314	HNR M10 x 1.5	4

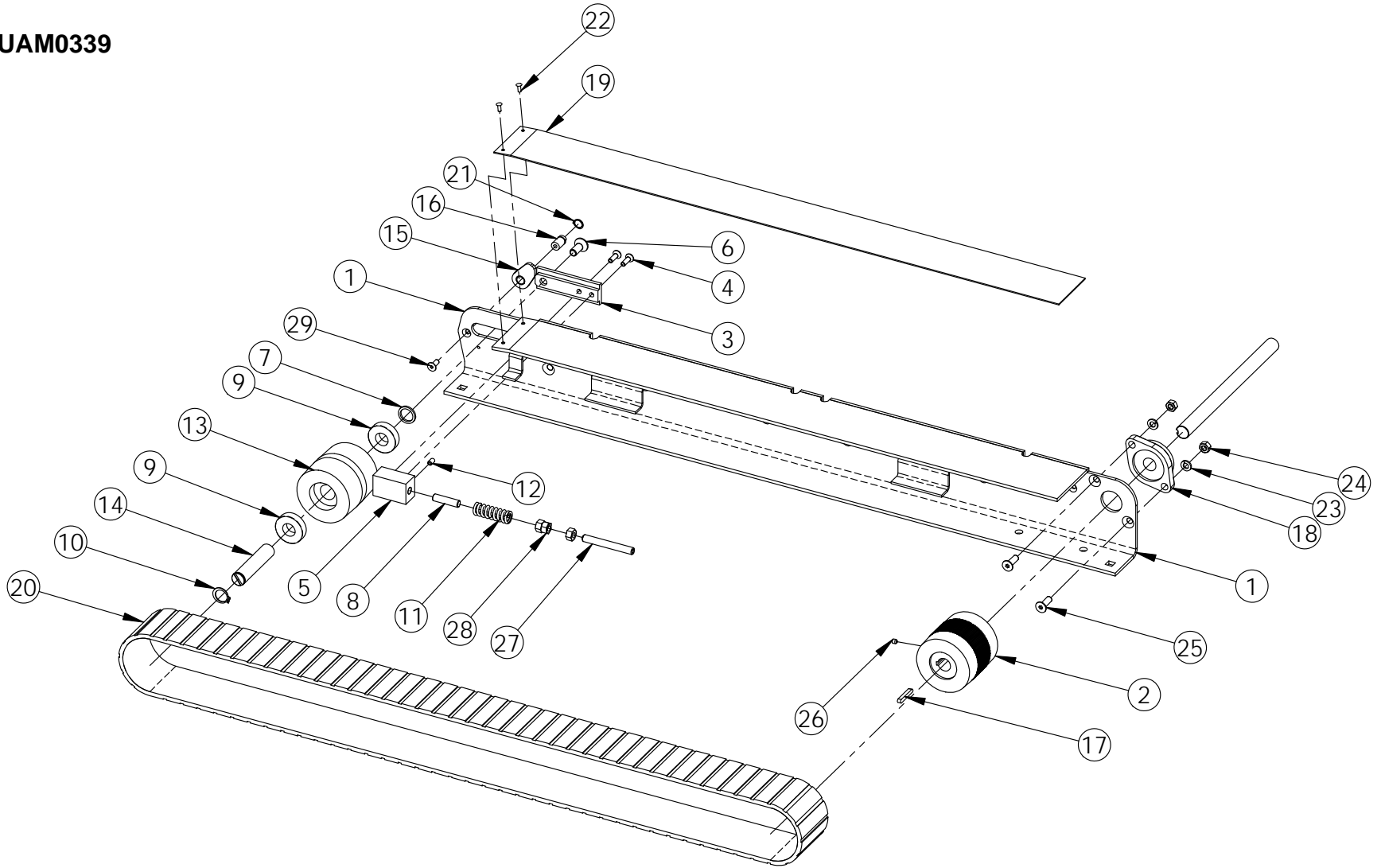
USM8098



USM8098

ITEM NO.	PART NUMBER	DESCRIPTION	QTY.
1	UPM7546	MOTOR BOX DRIVE	1
2	UAM0339	BB DRIVE LH USA2324	1
3	UPM4071	DRIVE SHAFT	1
4	UAM0340	BB DRIVE RH USA2324	1
5	UPM7552	SPACER, DRIVE 3"	1
6	UPM7554	SPACER 3" DRIVE 19 DIA	1
7	UPM7550	SPACER BAR	1
8	UPM7549	BACK CHAIN GUARD	1
9	UPM7548	FRONT CHAIN GUARD	1
10	UF2210EV	SQUARE KEY ZINC 5 X 5 X 20	1
11	UPM7517	SPROCKET 40B12 22MM - 7MM K/W	1
12	UPM7519	SPROCKET 40B12 19MM - 5MM K/W	1
13	UPM7516	MOTOR, LI-MING 1/2HP 1/20RAT	1
14	UPM4421	CHAIN 40 - 37 PITCH + C.L. + O.L	1
15	UF1191	FHCS M10-1.5 x 25	1
16	UF6371	LW M10	14
17	UF6314	HNR M10 x 1.5	9
18	UF0868	SHCS M10-1.5 x 25	3
19	UF1190	M8 - 1.25 x 20 FHCS	2
20	UF4229	CARRIAGE BOLT M10-1.5 x 20	4
21	UF3680	FW M10	14
22	UF6382	HHCS M10-1.5 x 25 mm	6
23	UF6365	BHCS M4 x 0.7 x 10mm	6
24	UF1411	SSS M6 X 6mm	4
25	UF1192	FHCS M6-1 x 16 mm	4
26	UPM7761	BOTTOM GAP FILLER	1
27	UF0810	SHCS M6-1 x 8	4
28	UF5900	NYLON LOCK NUT M6-1.0	4

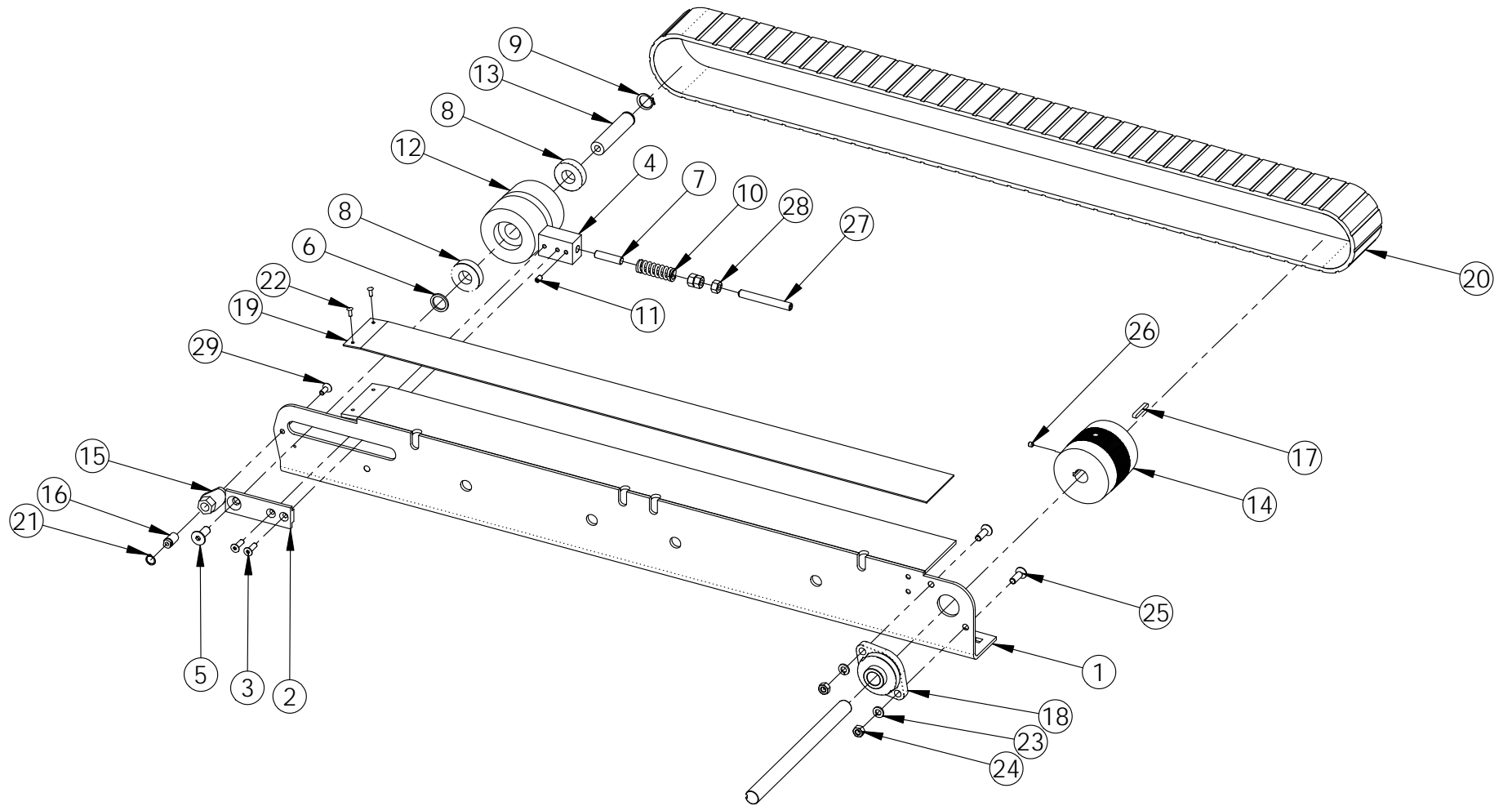
UAM0339



UAM0339

ITEM NO.	PART NUMBER	DESCRIPTION	QTY.
1	UPM4066	DRV SECTION RH	1
2	UPM4069	DRIVE PULLEY	1
3	UPM6074	TENSIONNER SLIDE	1
4	UF5402	FHCS M6 - 1 x 20	2
5	UPM0101EV	TENSIONNER SPRING HOLDER	1
6	UF1191	FHCS M10-1.5 x 25	1
7	UPM0109	IDLER PULLEY SPACER	1
8	UPM0112	3/8 X 1 1/2 DOWEL PIN	1
9	UPM0324	BEARING, PULLEY	2
10	UF2220	EXT RET'G RING 3/4" SHAFT	1
11	UPM0038	DIE SPRING - LHL-750B-5	1
12	UF3683	SOCKET SET SCREW M6 x 10	1
13	UPM4070	IDLER PULLEY	1
14	UPM4072	IDLER SHAFT	1
15	UPM4076	SPRING COMP TOOL R.H.	1
16	UPM4078	SHAFT 0.499" DIA	1
17	UF6386EV	SQUARE KEY ROUND ENDS 5 X 5 X 35	1
18	UPM0339	FLANGE BEARING 3/4" ID	1
19	UPM7467	STRIP,UHMW,3"x.03	1
20	UPM7468	BELT DRIVE. SAG 12E, 75mm X 2136 LG	1
21	UF6300	RETAINING RING 12MM SHAFT	1
22	UF3691	Pop Rivet 4mm	2
23	UF0867	LW M8	2
24	UF0866	HNR M8 - 1.25	2
25	UF6370	M8 - 1.25 x 25 FHCS	2
26	UF1411	SSS M6 X 6mm	1
27	UF1400	SSS HK 3/8-16 X 3	1
28	UF1540	HNR 3/8-16	3
29	UF1192	FHCS M6-1 x 16 mm	1

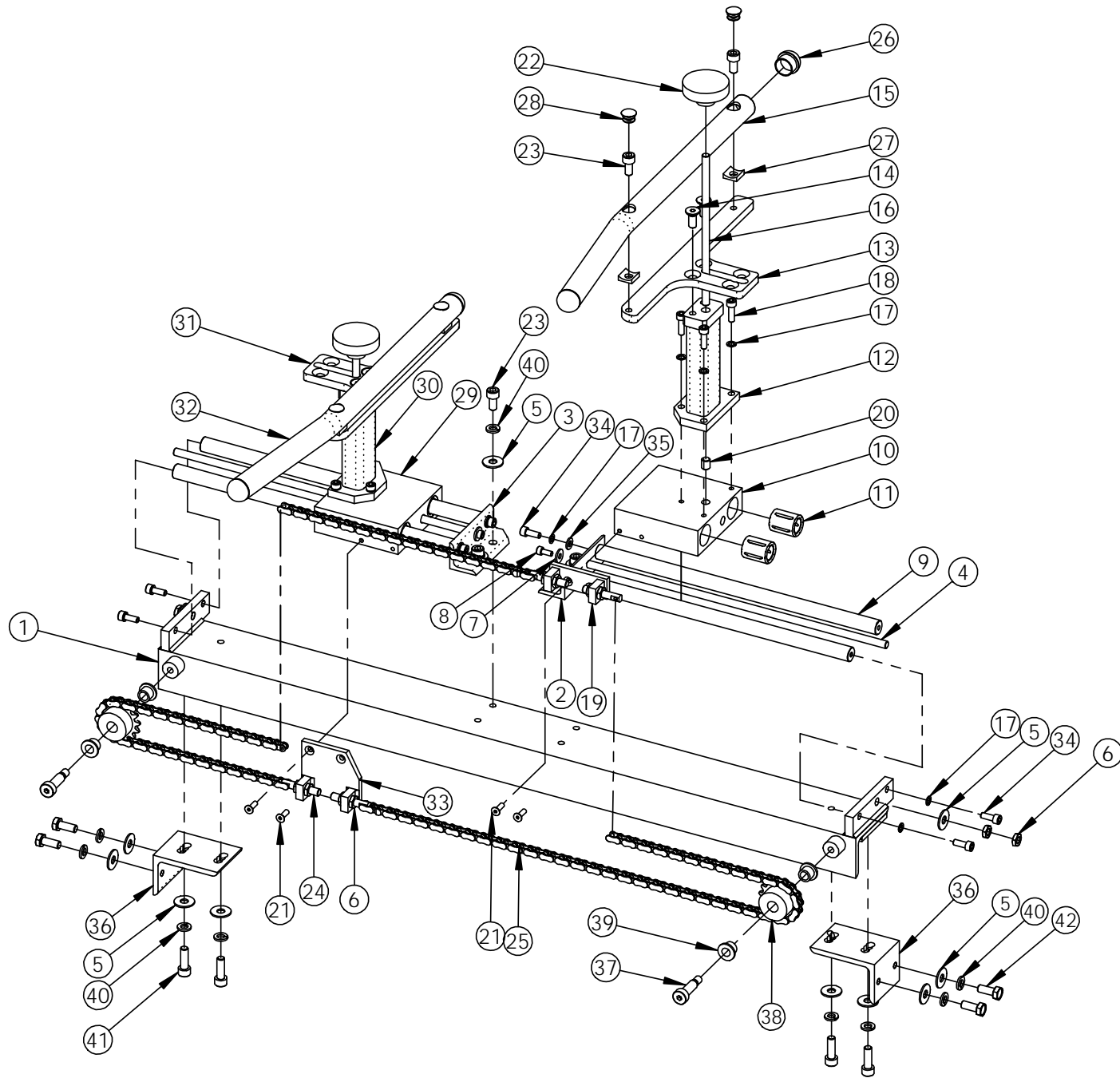
UAM0340



UAM0340

ITEM NO.	PART NUMBER	DESCRIPTION	QTY.
1	UPM4067	FRAME LH DRIVE	1
2	UPM6074	TENSIONNER SLIDE	1
3	UF5402	FHCS M6 - 1 x 20	2
4	UPM0101EV	TENSIONNER SPRING HOLDER	1
5	UF1191	FHCS M10-1.5 x 25	1
6	UPM0109	IDLER PULLEY SPACER	1
7	UPM0112	SPRING LOCATOR PIN	1
8	UPM0324	BEARING, PULLEY	2
9	UF2220	EXT RET'G RING 3/4" SHAFT	1
10	UPM0038	DIE SPRING - LHL-750B-5	1
11	UF3683	SOCKET SET SCREW M6 x 10	1
12	UPM4070	IDLER PULLEY	1
13	UPM4072	IDLER SHAFT	1
14	UPM4069	DRIVE PULLEY	1
15	UPM4077	SPRING COMP TOOL L.H.	1
16	UPM4078	SHAFT	1
17	UF6386EV	SQUARE KEY ROUND ENDS 5 X 5 X 35	1
18	UPM0339	FLANGE BEARING 3/4" ID	1
19	UPM7467	STRIP,UHMW,3"x.03	1
20	UPM7468	BELT DRIVE. SAG 12E, 75mm X 2136 LG	1
21	UF6300	Ret'g Ring External 12mm	1
22	UF3691	Pop Rivet 4mm	2
23	UF0867	LW M8	2
24	UF0866	HNR M8 - 1.25	2
25	UF6370	M8 - 1.25 x 25 FHCS	2
26	UF1411	SSS M6 X 6mm	1
27	UF1400	SSS HK 3/8-16 X 3	1
28	UF1540	HNR 3/8-16	3
29	UF1192	FHCS M6-1 x 16 mm	1

USM8087

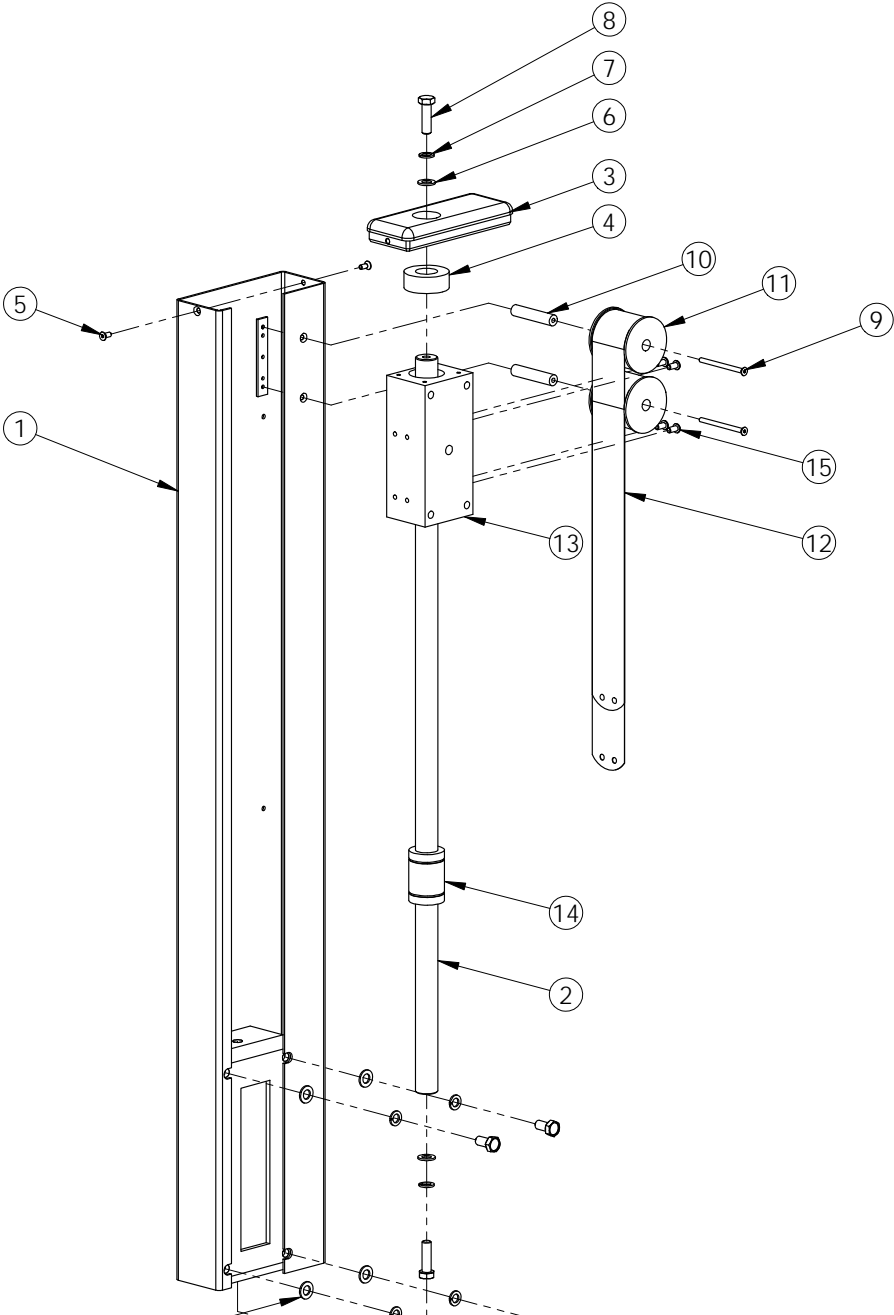


USM8087

ITEM	PART #	DESCRIPTION	QTY.
1	UPM4053	COMPRESSION GUIDE FRAME	1
2	UPM4057	SHAFT SUPPORT R.H.	1
3	UPM4062	SHAFT SUPPORT L.H.	1
4	UPM7479	BAR	2
5	UF1821	FW M8	14
6	UF6369	HEX JAM NUT M8 - 1.25	12
7	UF1827	FW M5	2
8	UF9154	SHCS M5-0.8 X 12	2
9	UPM7478	SHAFT 16mm X 340.93 lg	4
10	UPM4054	BEARING HOUSING R.H.	1
11	UPM7486	LINEAR BALL BEARING 16mm SHAFT	8
12	UPM7480	BRACKET R.H.	1
13	UPM4058	BOX GUIDE R.H.	1
14	UF1190	M8 - 1.25 x 20 FHCS	4
15	UPM4060	GUIDE ADAPTER R.H.	1
16	UPM4065	LOCKING SCREW	2
17	UF6363	LW M6	14
18	UF0835	SHCS M6-1 X 20mm	6
19	UPM7476	CHAIN BRACKET WITH TAKE-UP	1
20	UPM7475	LOCK, GUIDE	2
21	UF5404	FHCS M5 - 0.8 x 16 mm	4

ITEM	PART #	DESCRIPTION	QTY.
22	UPM4083	FLUTED KNOB	2
23	UF6367	SHCS M8-1.25 x 16	7
24	UPM7183	TAKE-UP SCREW	4
25	UPM7484	CHAIN #35, 80 LINK + C.L + O.L.	2
26	UPM7482	TUBE PLUG	4
27	UPM7521	CONCAVE SEAT	4
28	UPM7523	HOLE COVER CAP	4
29	UPM4055	BEARING HOUSING L.H.	1
30	UPM7481	BRACKET L.H.	1
31	UPM4059	BOX GUIDE L.H.	1
32	UPM4061	GUIDE ADAPTER L.H.	1
33	UPM7477	CHAIN BRACKET WITH TAKE UP	1
34	UF0830	SHCS M6-1 x 16 mm	8
35	UF1828	REG F.W. M6	4
36	UPM4064	MOUNTING ANGLE	2
37	UF6368	SHOULDER SCREW 10mm x 25, M8-1.25	2
38	UPM4084	SPROCKET # 35 B 15, 14mm BORE	2
39	UPM1781EV	FLANGED BEARING 10mm x 11.5mm	4
40	UF0867	LW M8	12
41	UF0865	SHCS M8-1.25 X 25mm	4
42	UF6309	HHCS M8-1.25 X 20MM	4

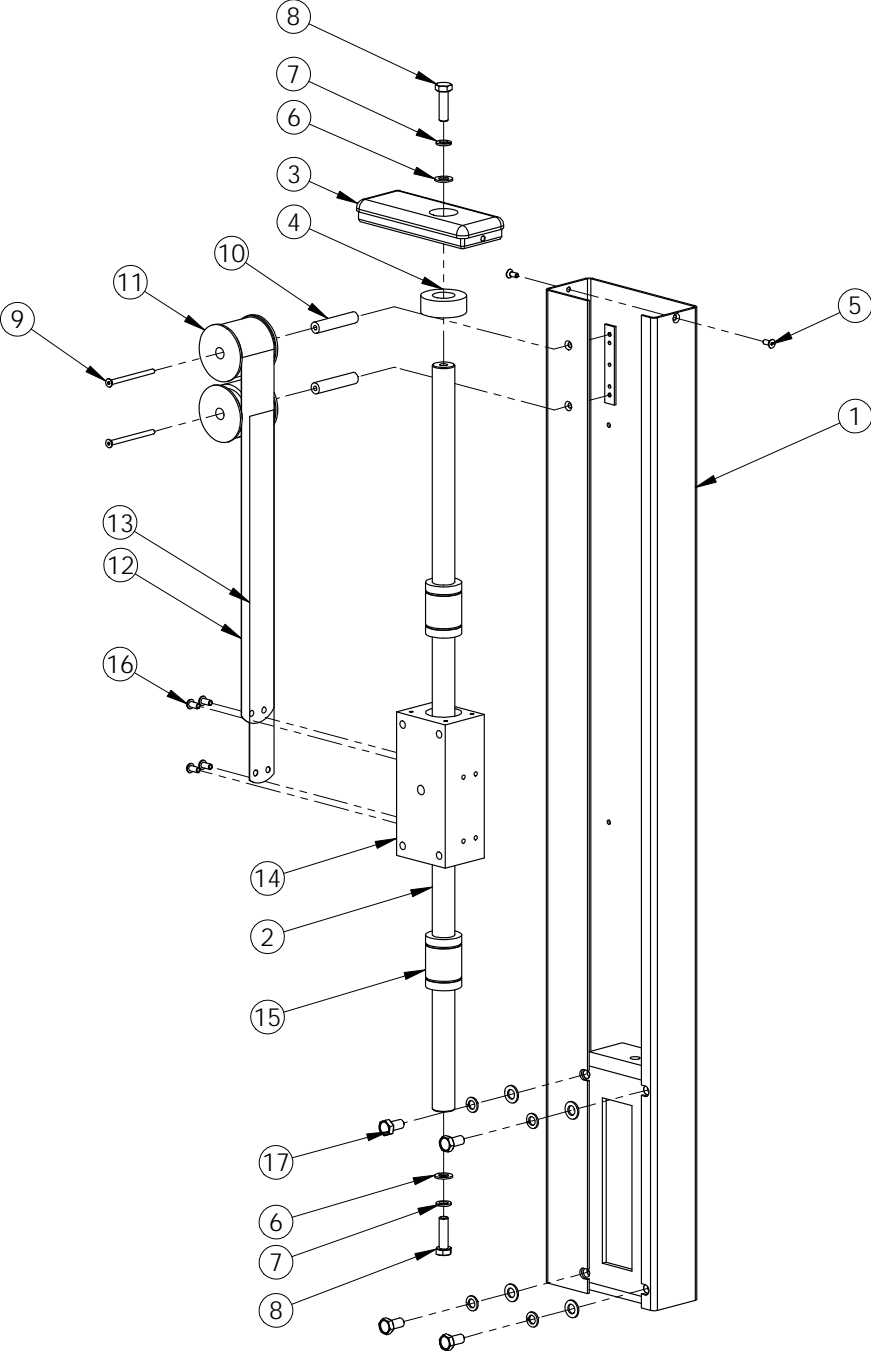
USM0807



USM0807

ITEM	PART #	DESCRIPTION	QTY.
1	UPM9712	COLUMN 24 LEFT METRIC	1
2	UPM0738EV	COLUMN SHAFT	1
3	UPM0741EV	COLUMN CAP LEFT SIDE	1
4	UPM2251	SAFETY BUMPER	1
5	UF5400	FHCS M5-0.8 x 12 mm	2
6	UF3680	FW M10	6
7	UF6371	LW M10	6
8	UF0301	HHCS M10-1.5 x 35	2
9	UF1157	FHCS M5-0.8 x 70	2
10	UPM4210	SPRING MANDREL SHAFT	2
11	UPM0742	SPRING SPOOL	2
12	UPM0740	CONSTANT FORCE SPRING	2
13	UPM9651	COLUMN BLOCK 40 mm BORE	1
14	LM 25UU	LINEAR BEARING 25 mm	2
15	UF3278	SS BHCS M6-1 x 12 mm	4
16	UF0457	HHCS M10-1.25 x 20 mm	4

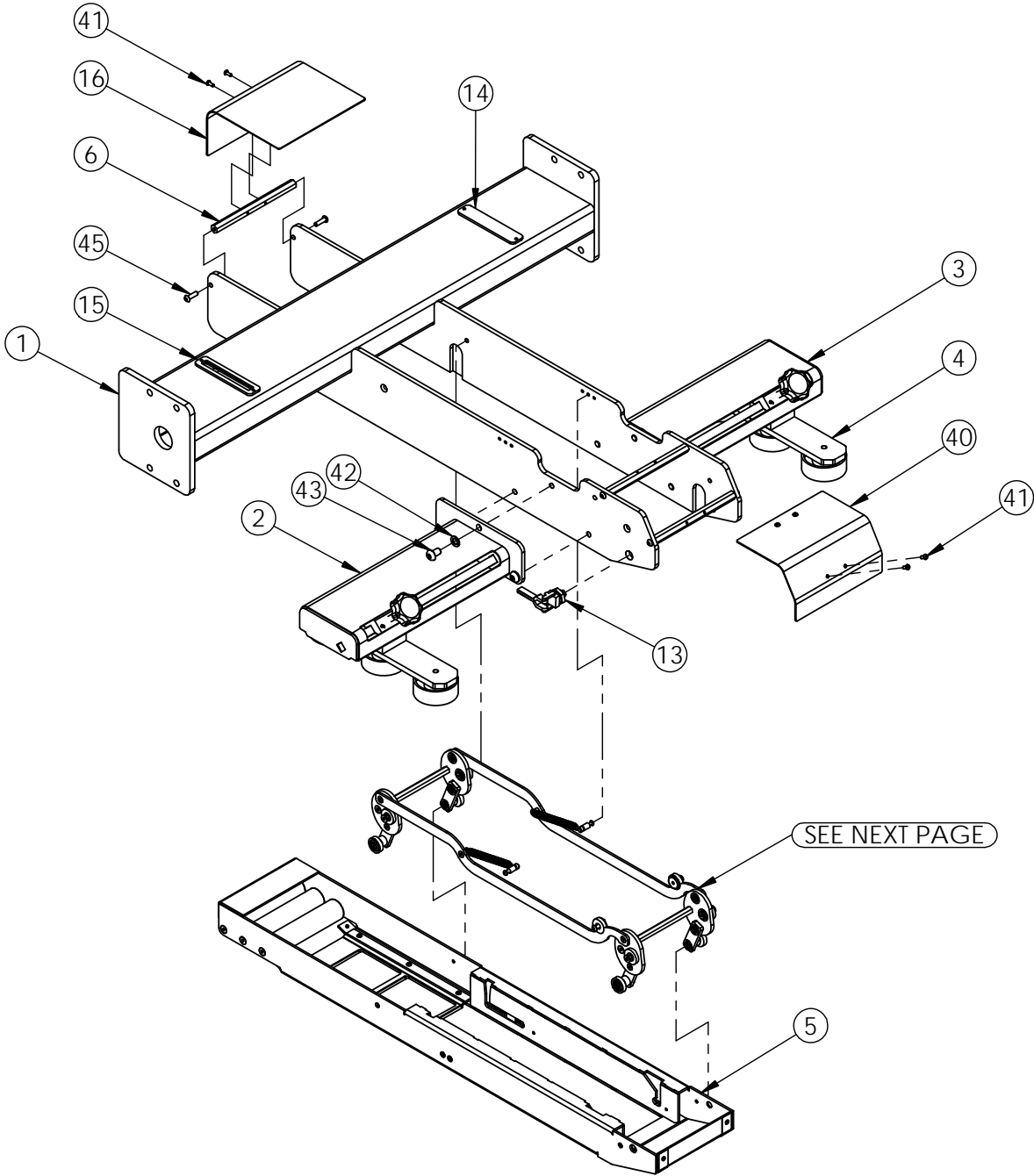
USM0806



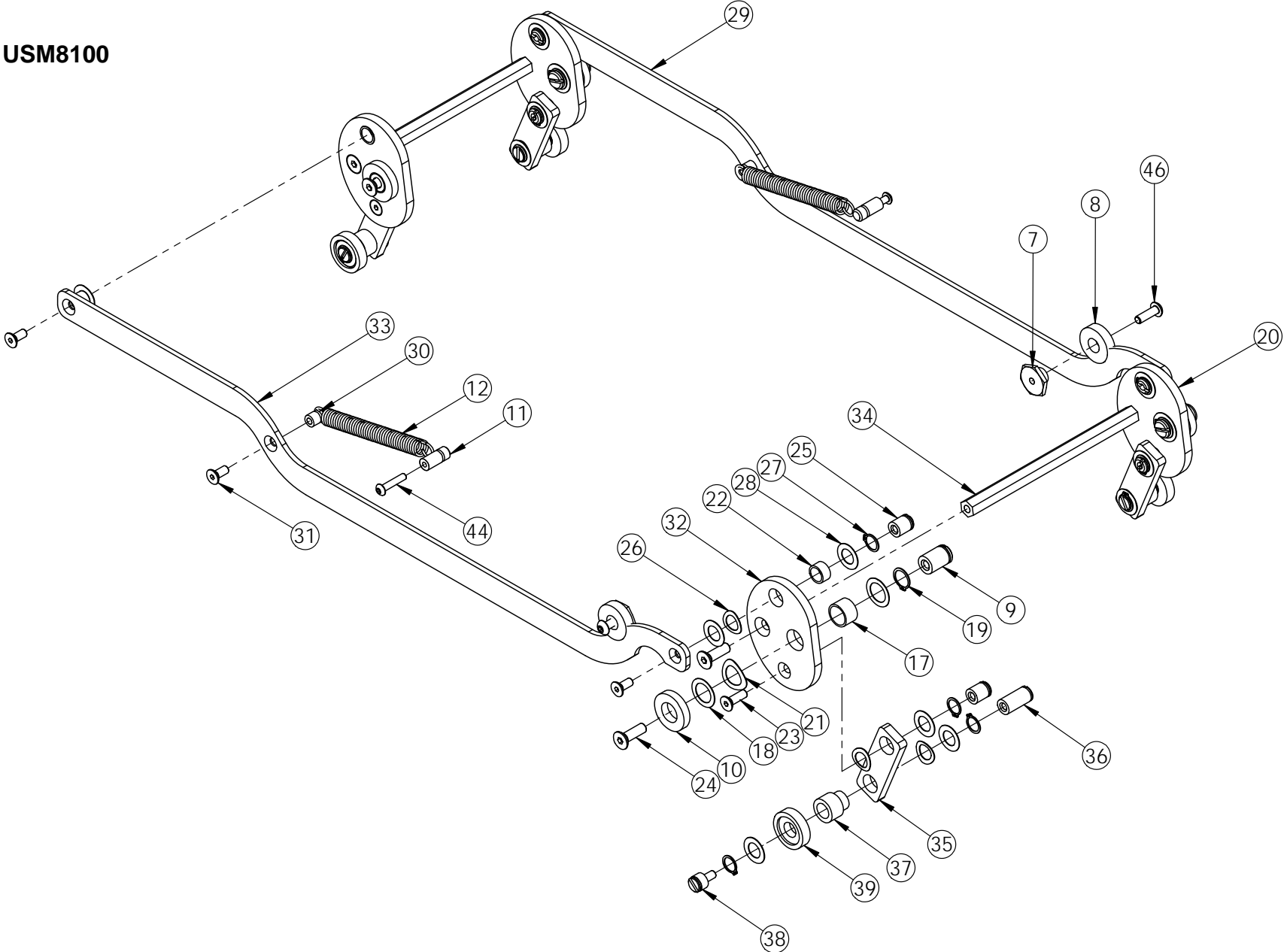
USM0806

ITEM NO.	PART NUMBER	DESCRIPTION	QTY.
1	UPM9713	COLUMN 24 RIGHT METRIC	1
2	UPM0738EV	COLUMN SHAFT	1
3	UPM2182EV	COLUMN CAP RIGHT	1
4	UPM2251	SAFETY BUMPER	1
5	UF5400	FHCS M5-0.8 x 12 mm	2
6	UF3680	FW M10	6
7	UF6371	LW M10	6
8	UF0301	HHCS M10-1.5 x 35	2
9	UF1157	FHCS M5-0.8 x 70	2
10	UPM4210	SPRING MANDREL SHAFT	2
11	UPM0742	SPRING SPOOL	2
12	UPM0740	CONSTANT FORCE SPRING 33LBS	1
13	UPM2181	CONSTANT FORCE SPRING 24LBS	1
14	UPM9651	COLUMN BLOCK 40 mm BORE	1
15	LM 25UU	LINEAR BEARING 25 mm	2
16	UF3278	SS BHCS M6-1 x 12 mm	4
17	UF0457	HHCS M10-1.25 x 20 mm	4

USM8100



USM8100



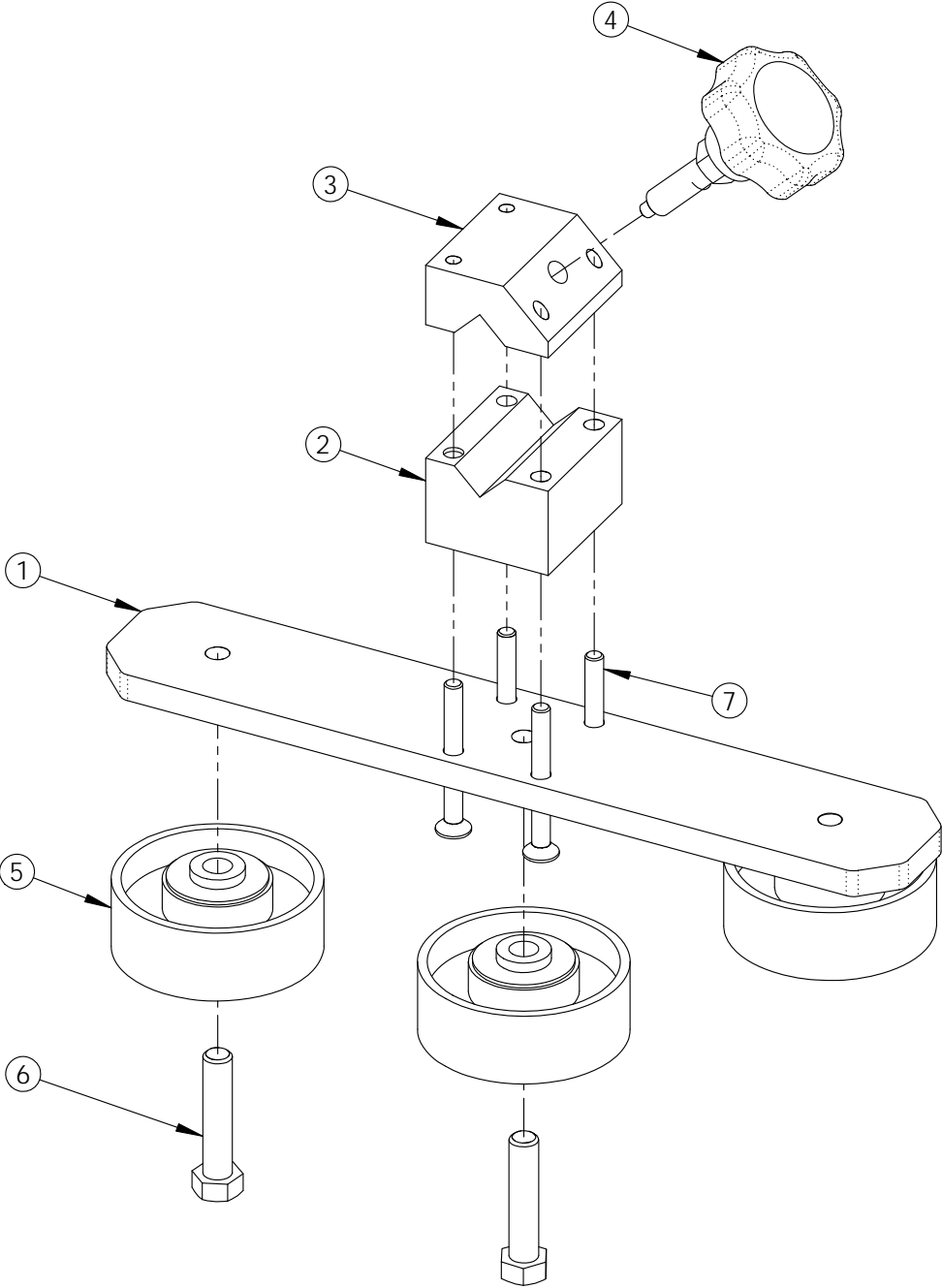
USM8100

ITEM NO.	PART NUMBER	DESCRIPTION	QTY.
1	UPM7487	BRIDGE, WELDMENT	1
2	UPM7489	TOP COMPR. GUIDE SUPPORT L.H.	1
3	UPM7490	TOP COMPR. GUIDE SUPPORT R.H.	1
4	UAM0260	COMPRESSION GUIDE USA2324 BB	2
5	UAM0265	TOP TH FRAME 3" USA 2324	1
6	UPM7537	HEX BRACING TTH BOX	3
7	UPH1017	SS STOP RETAINER	2
8	UPH133	STOP,KNIFE ARM,15/16"D.URETH.	2
9	UPM0968	PIVOT SHAFT LONG T.H.BOX 222	4
10	UPM1158	PIVOT SHAFT SPACER	4
11	UPM7535	SPRING RETAINER	2
12	UPM1042	PIVOT EXTENSION SPRING	2
13	UPM2196	TOGGLE CLAMP	1
14	UPM1008	BRIDGE PLATE COVER	1
15	UPM1011	BRIDGE PLATE COVER SLOTTED	1
16	UPM7493	TOP-END COVER	1
17	UPH0089	BEARING GLYCODUR .50 x .38 LG	4
18	UF1960	NYLON F.W. .515 x .759 x .015	8
19	UF6300	RETAINING RING FOR 12mm SHAFT	4
20	UPM7495	SWAY HUB RIGHT	2
21	UF1900	WAVE W 1/2 U-500-0113	4
22	UPH1095	BEARING,PERMAGLIDE 1/2"X3/8"	8
23	UF5404	FHCS M5 - 0.8 x 16 mm	4
24	UF5402	FHCS M6 - 1 x 20	8

USM8100

ITEM NO.	PART NUMBER	DESCRIPTION	QTY.
25	UPM7501	PIVOT SHAFT 10mm DIA TTH BOX	8
26	UF1896	WAVE W 3/8 U375-0130	12
27	UF6301	RETAINING RING FOR 10mm SHAFT	16
28	UF1797	SS F.W. 10.1mm ID x 16mm OD x .38 th.	20
29	UPM7497	HORIZONTAL TRUSS RIGHT	1
30	UPM7540	SPRING RETAINER M5	2
31	UF5400	FHCS M5-0.8 x 12 mm	6
32	UPM7494	SWAY HUB	2
33	UPM7496	HORIZONTAL TRUSS, LEFT	1
34	UPM4266	SINCRON HEX BAR	2
35	UPM7498	LINK PLATE	4
36	UPM7506	SUSPENSION SHAFT	4
37	UPM7504	SPACER	4
38	UPM7505	SUSPENSION SHAFT THREADED	4
39	UPM7507	VERTICAL GUIDE WHEEL	4
40	UPM7510	INLET COVER	1
41	UF6365	BHCS M4 x 0.7 x 10mm	6
42	UF6371	LW M10	6
43	UF6372	BHCS M10 - 1.5 x 16	6
44	UF4050EV	BHCS M4 - 0.7 x 20mm	2
45	UF1241EV	BHCS M6-1 x 20	6
46	UF5602	BHCS M5-0.8 X 16mm	2

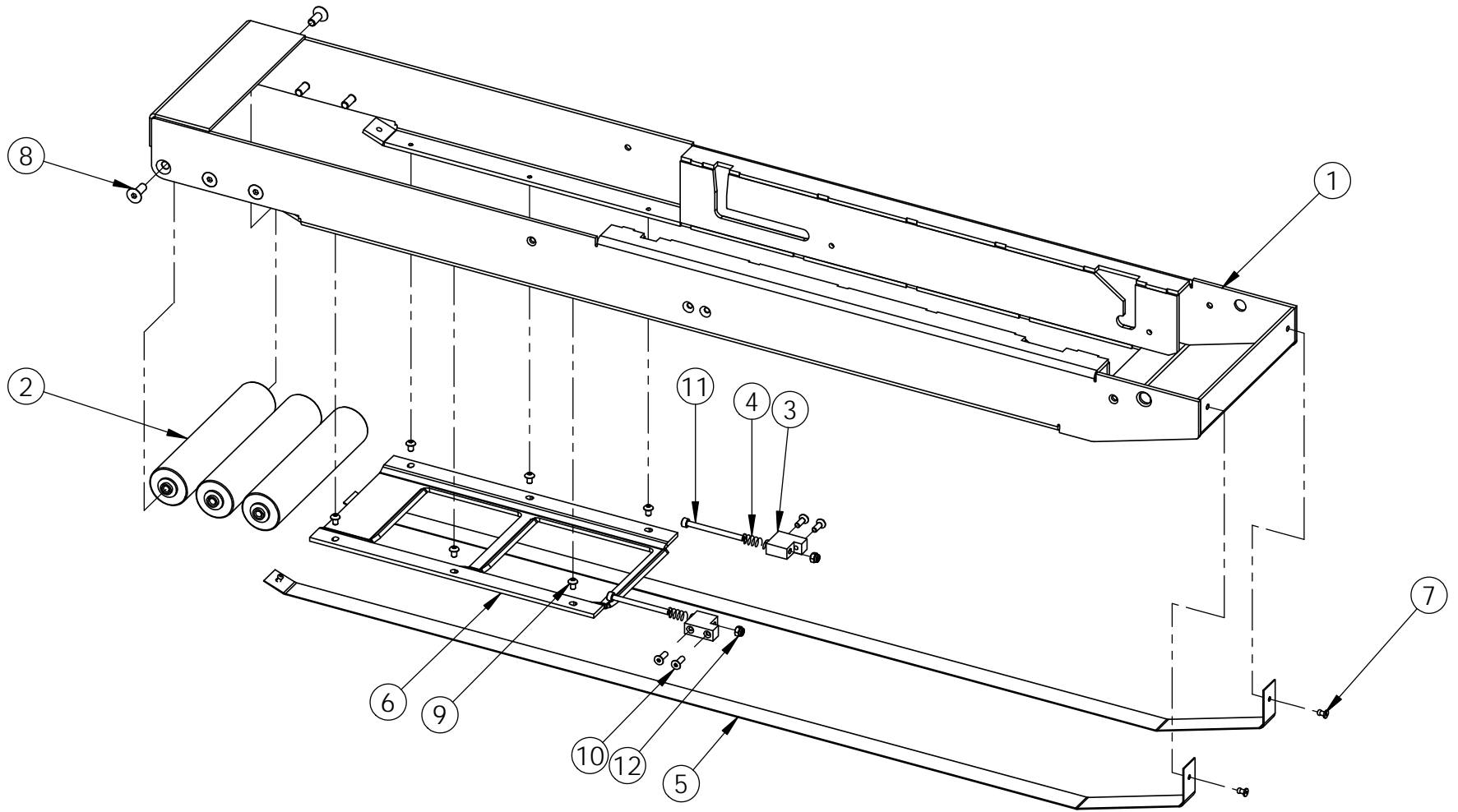
UAM0260



UAM0260

ITEM NO.	PART NUMBER	DESCRIPTION	QTY.
1	UPM7491	WHEEL SUPPORT PLATE	1
2	UPM3285EV	GUIDE BLOCK	1
3	UPM7538	GUIDE BLOCK TOP	1
4	UAM0288	KNOB CW 5mm PIN USA2324	1
5	UPM1659	WHEEL 2-7/8"DIA.COMPR.GUIDE	3
6	UF0240	HHCS 3/8-16 x 1.75	3
7	UF6373	FHCS M6 - 1 x 55	4

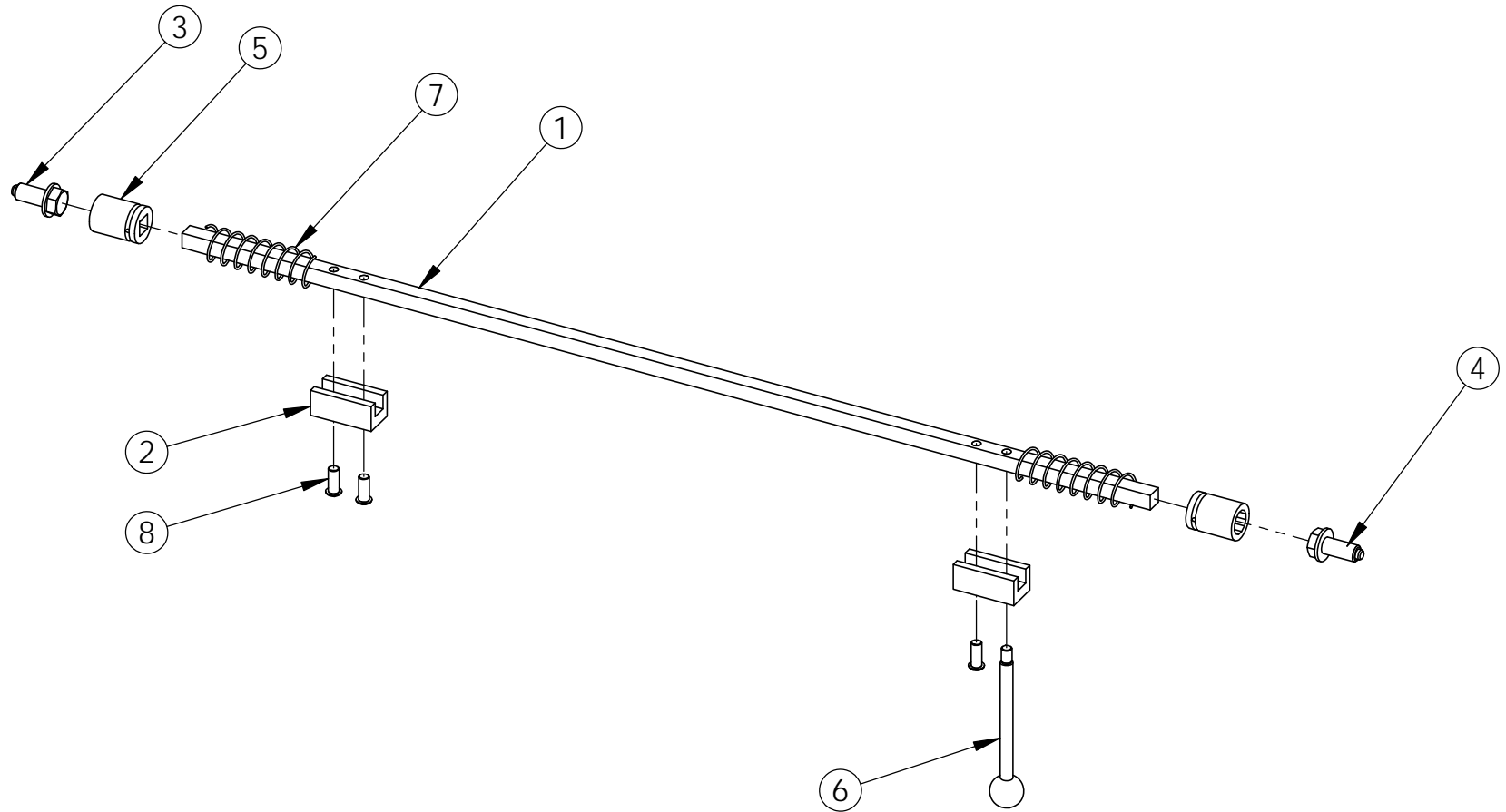
UAM0265



UAM0265

ITEM NO.	PART NUMBER	DESCRIPTION	QTY.
1	UPM7488	FLOATING T.H.BOX	1
2	UPM7492	REAR ROLLER-FLOATING	3
3	UPM7541	SPRING SUPPORT M4	2
4	UPM1068	COMPRESSION SPRING	2
5	UPM0029	STRIP, UHMW, 2" W x .03" THK.	2
6	UPM7500	REAR GAP FILLER TTH BOX	1
7	UF2080	POP RIVET S-44	4
8	UF1192	FHCS M6-1 x 16 mm	6
9	UF6374	BHCS M4-0.7 x 6 mm	6
10	UF3714	FHCS M4-0.7 x 12mm	4
11	UF6375	SHCS M4-0.7 x 50mm	2
12	UF6376	NYLON LOCKNUT M4	2

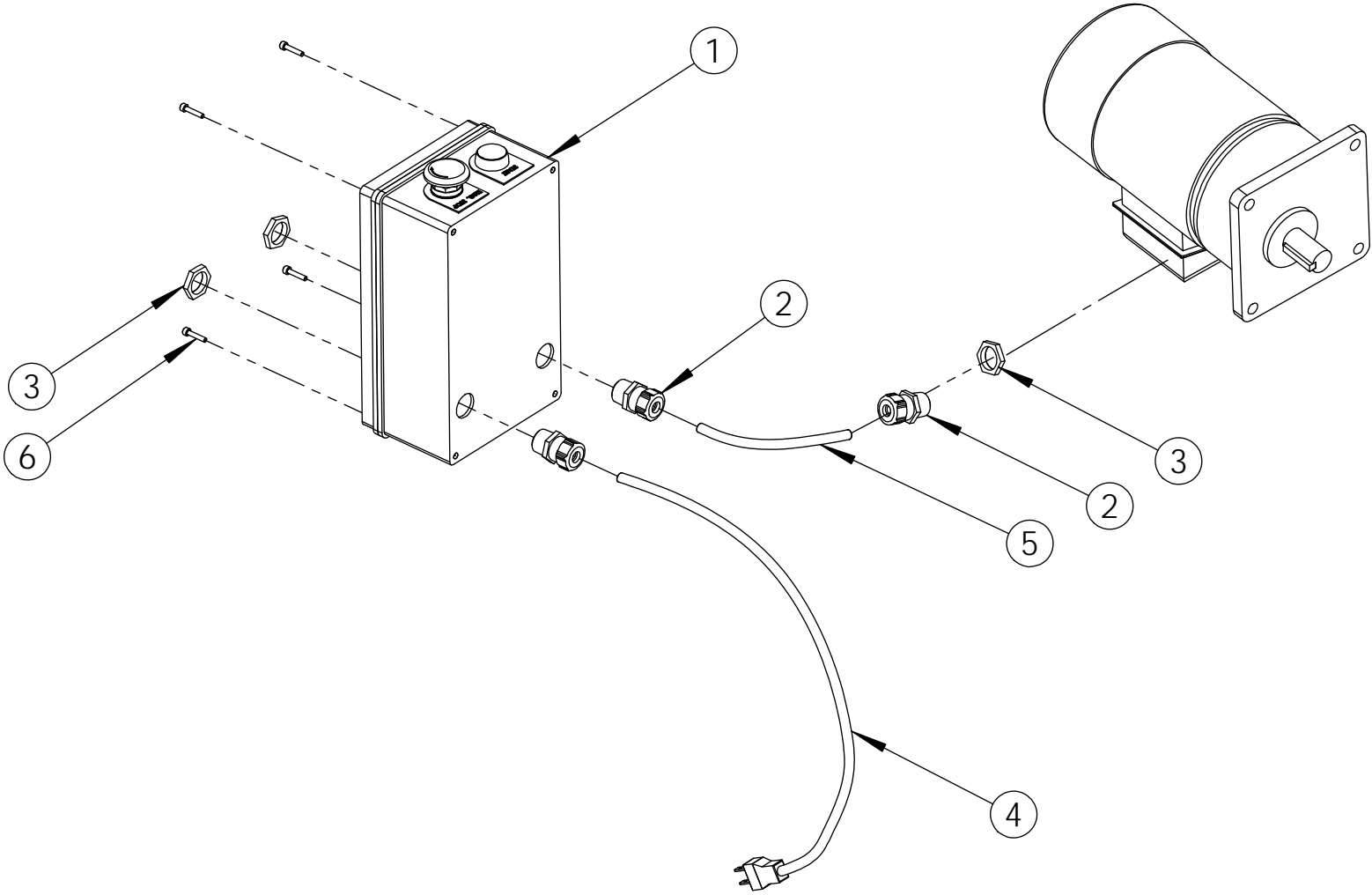
USM0391



USM0391

ITEM	PART #	DESCRIPTION	QTY.
1	UPM2187	SQUARE BAR 0.50"	1
2	UPM2866	SS SINGLE LOCKING BLOCK	2
3	UPM0698	FLANGED SCREW 1/2-13 L.H.	1
4	UPM0699	FLANGED SCREW 1/2-13 R.H.	1
5	UPM0703	SHORT SOCKET 3/4",1/2DR,12PT	2
6	UPM0688	SINGLE LOCKING HANDLE	1
7	UPM2184	COMPRESSION SPRING,	2
8	UF1318	BHCS M8-1.25 x 20 mm	3

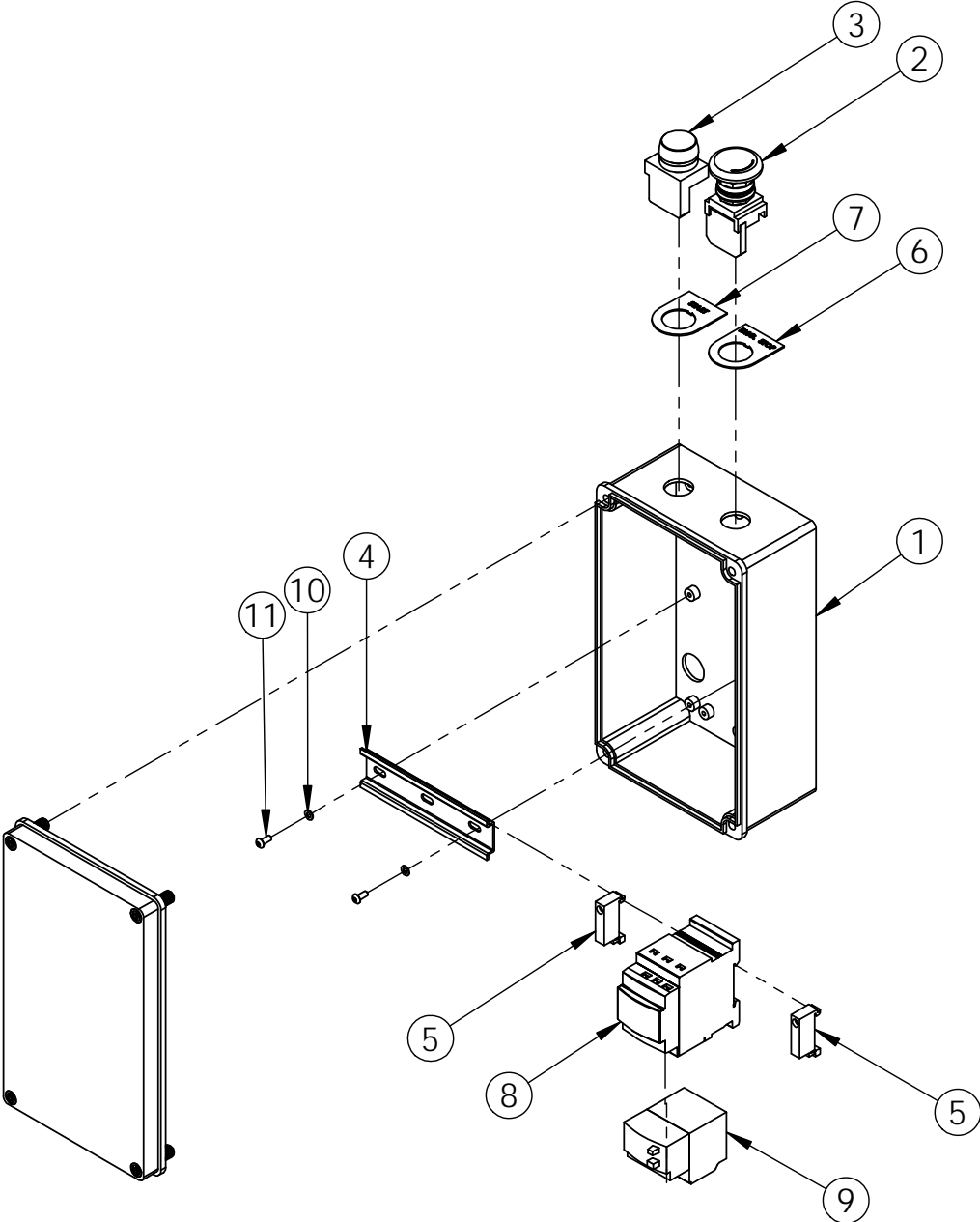
USM8092



USM8092

ITEM	PART #	DESCRIPTION	QTY.
1	UAM0264	ELECTRIC CONTROL BOX	1
2	UPM0197EV	STR.RELF METL.LIQDTGHT M20X1.5 (8-10mm)	3
3	UPM0341EV	LOCKNUT M20 X 1.5(FOR STRAIN RELF)	3
4	UPM0209	POWER CORD, 14/3	1
5	UPM0225	CABLE 18/3 TYPE SJ	1
6	UF3646	SHCS M4-0.7 x 20	4

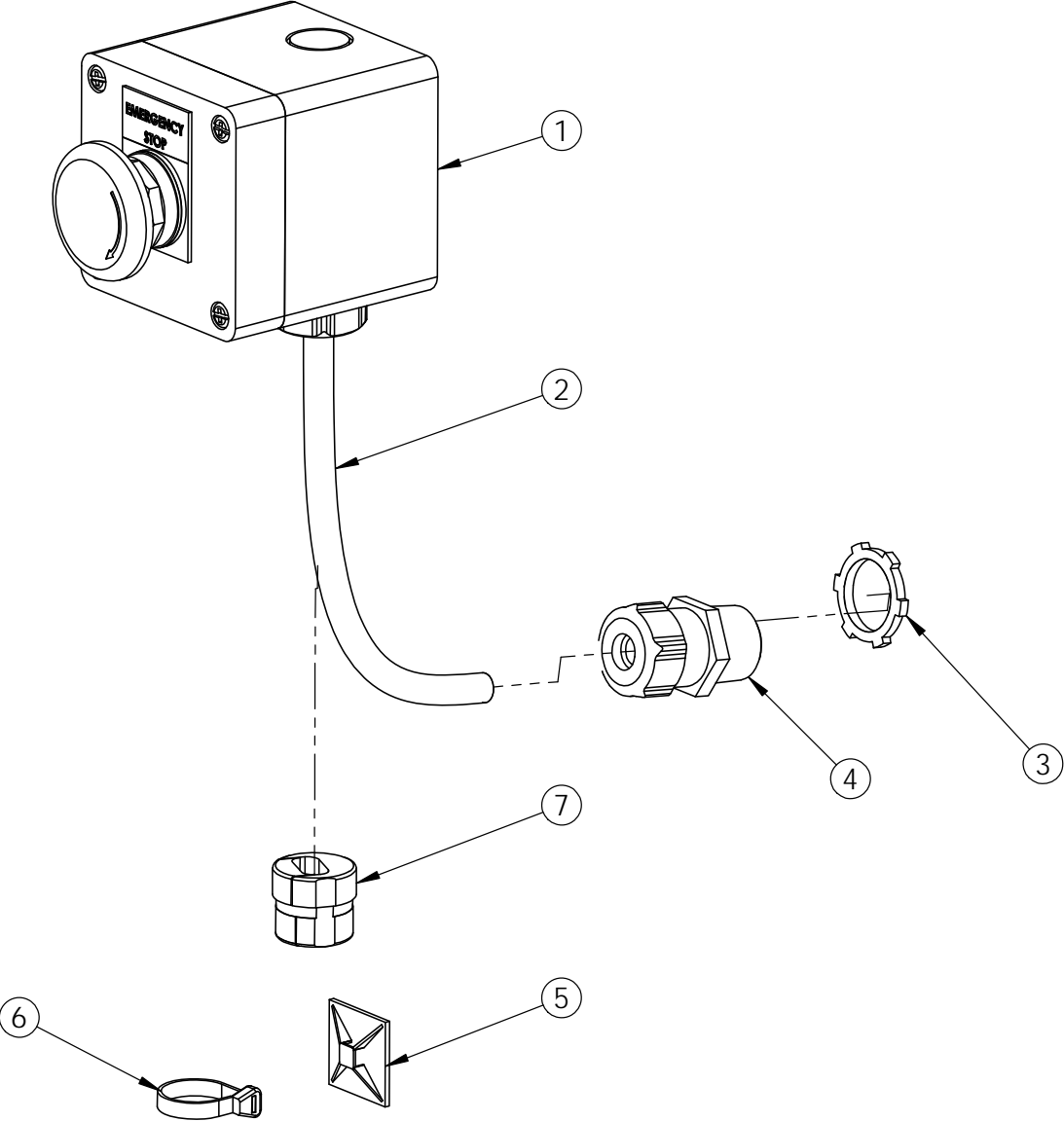
UAM0264



UAM0264

ITEM NO.	PART NUMBER	DESCRIPTION	QTY.
1	UPM7527	ENCLOSURE DEMEX HIBOX 132 X 232	1
2	UPM2211	BUTTON MUSHROOM 22mm 1 N.C.	1
3	UPM2212	BUTTON GREEN 22mm 1 N.O.	1
4	UPM0407EV	DIN RAIL USA 2324	1
5	UPM7440EV	TB END ANCHOR FOR DN SER	2
6	UPM2209EV	LEGEND PLATE "E-STOP"	1
7	UPM2210EV	LEGEND PLATE "START"	1
8	UPM7524	MOTOR STARTER TELEMEC 110VAC	1
9	UPM2213EV	MOTOR OVERLOAD 3 POLE 2.5-4.0A	1
10	UF3710	FW M4	2
11	UF6365	BHCS M4 x 0.7 x 10mm	2

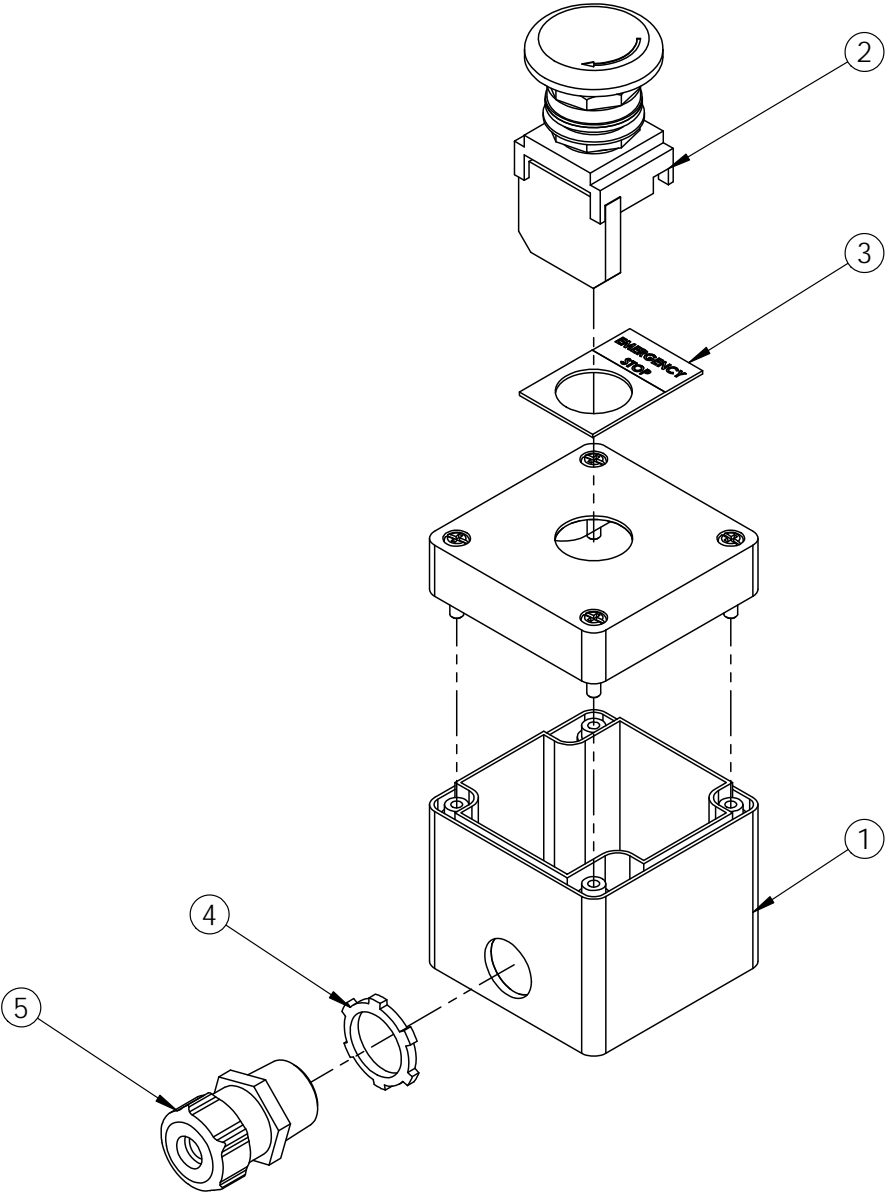
UM9003



UM9003

ITEM	PART #	DESCRIPTION	QTY.
1	USM8075	SECOND E-STOP BOX FOR USA	1
2	UPM0225	CABLE 18/3 TYPE SJ	1
3	UPM0341	LOCKNUT 1/2"(FOR STRAIN RELF)	1
4	UPM0197	STR.RELF METL.LIQDTGHT 1/4-3/8	1
5	UPM0200	MTG. CLAMP,ADH.1.2"X1.2"	1
6	UPM0222	TY-RAP,5.5"X.14"	1
7	UPM0285	STRAIN RELIEF, NON-METAL	1

USM8075



USM8075

ITEM	PART #	DESCRIPTION	QTY.
1	UPM7293	ENCLOS PB 1 HOLE NON METAL	1
2	UPM2211	BUTTON MUSHROOM 22mm 1 N.C.	1
3	UPM2209	LEGEND PLATE "E-STOP"	1
4	UPM0341	LOCKNUT 1/2"(FOR STRAIN RELF)	1
5	UPM0197	STR.RELF METL.LIQDTGHT 1/4-3/8	1

Electrical Drawing

